

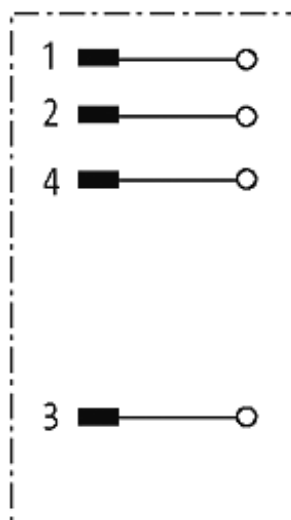
**MOSA M12 MALE 0° FIELD-WIREABLE (IDC)**4-pol., 0,14-0,34mm<sup>2</sup>

Male straight

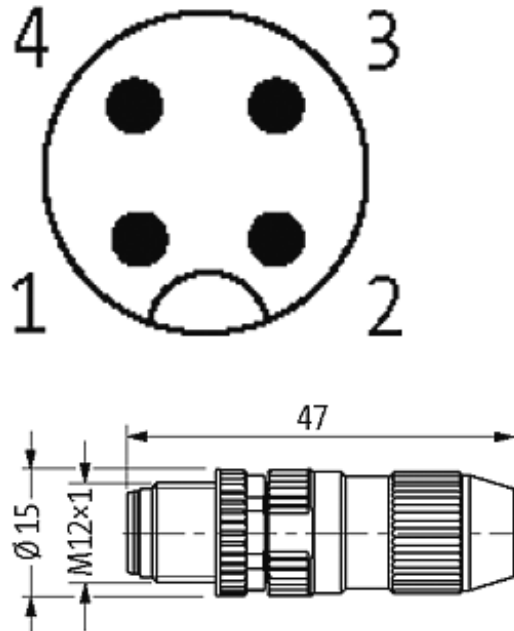
4-pole

Connection cross section: 0.14...0.34 mm<sup>2</sup>

The resistance to aggressive media should be individually tested for your application.  
Further details on request.

[Link to Product](#)**Illustration**

# Male



Product may differ from Image

## Approvals



## Form

12491

## Technical Data

Operating voltage	max. 32 V AC/DC
Operating current per contact	max. 4 A
Connection cross section	0.14...0.34 mm <sup>2</sup> (conductor diameter min. 0.1 mm)
Sealing range (cable diameter)	2.9...5.1 mm
Wire isolation	PVC, PP, TPE
Outer wire diameter	1.0...1.6 mm
Locking of ports	Screw thread M12 × 1 mm (recommended torque 0.6 Nm) self-securing
Protection	IP67 inserted and tightened (EN 60529)

## General data

Temperature range	-25...+85 °C
Dimensions H × W × D	43.5×15.3×15.3 mm

## Commercial data

country of origin	DE
customs tariff number	85369010
minimum order quantity	1