



MAG. SWITCHING ELEMENT, 2NC+1NO MOULDED PLASTIC HOUSING 25X88 CONN.CABLE 3M LIYY, 6X0,25SQMM (SWITCHING MAGNET REQUIRED: 3SE67042BA)

Figure similar

Product designation		magnetically operated switch, switch block
Design of the product		rectangular sensor unit

**General technical data:**

<b>Product function</b>		
<ul style="list-style-type: none"> <li>positive opening</li> </ul>		No
<b>Shock resistance</b>		
<ul style="list-style-type: none"> <li>acc. to IEC 60068-2-27</li> </ul>		Sinusoidal half-wave 30g / 11 ms
<b>Vibration resistance</b>		
<ul style="list-style-type: none"> <li>acc. to IEC 60068-2-6</li> </ul>		10 ... 55 Hz: 1 mm
<b>Protection class IP</b>		IP67
<b>Equipment marking</b>		
<ul style="list-style-type: none"> <li>acc. to DIN EN 61346-2</li> </ul>		S
<ul style="list-style-type: none"> <li>acc. to DIN EN 81346-2</li> </ul>		S

**Enclosure:**

<b>Design of the housing</b>		block
<b>Material of the enclosure</b>		Plastic, glass-fiber reinforced thermoplastic
<b>Material of cable sheath</b>		PVC

**Drive Head:**

<b>Design of the operating mechanism</b>		magnet
<b>Design of the switching function</b>		NC contact and NO contact

**Connections/ Terminals:**

<b>Type of electrical connection</b>		cable, 3 m
--------------------------------------	--	------------

**Safety related data:**

Safety Integrity Level (SIL) acc. to IEC 61508		SIL3
Performance level (PL) acc. to EN ISO 13849-1		e
Category acc. to EN 954-1		4

#### Ambient conditions:

<b>Ambient temperature</b>		
• during operation	°C	-25 ... +70
• during storage and transport	°C	-25 ... +70

#### Inputs/ Outputs:

Type of switching output		Reed contacts
--------------------------	--	---------------

#### Display:

Evaluation version required		yes
-----------------------------	--	-----

#### Installation/ mounting/ dimensions:

Mounting type		screw fixing
---------------	--	--------------

#### Certificates/ approvals:

General Product Approval



#### Further information

**Information- and Downloadcenter (Catalogs, Brochures,...)**

<http://www.siemens.com/industrial-controls/catalogs>

**Industry Mall (Online ordering system)**

<http://www.siemens.com/industrymall>

**Cax online generator**

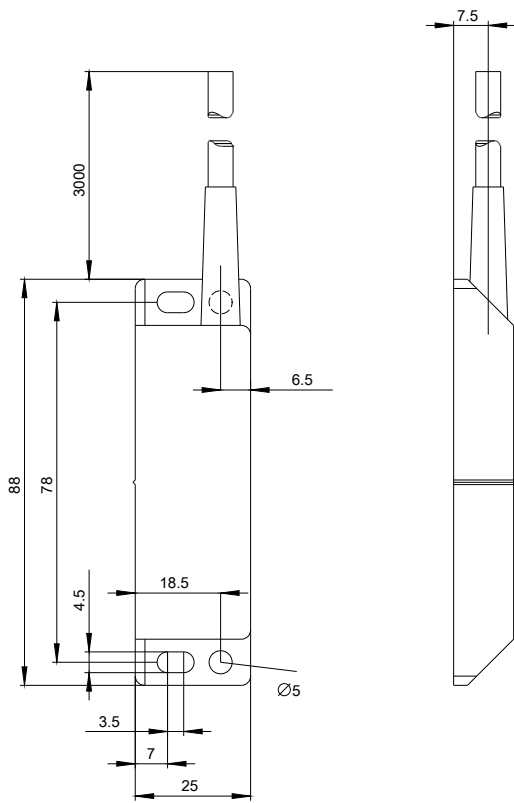
<http://support.automation.siemens.com/WW/CAXorder/default.aspx?lang=en&mlfb=3SE66062BA04>

**Service&Support (Manuals, Certificates, Characteristics, FAQs,...)**

<http://support.automation.siemens.com/WW/view/en/3SE66062BA04/all>

**Image database (product images, 2D dimension drawings, 3D models, device circuit diagrams, EPLAN macros, ...)**

[http://www.automation.siemens.com/bilddb/cax\\_de.aspx?mlfb=3SE66062BA04&lang=en](http://www.automation.siemens.com/bilddb/cax_de.aspx?mlfb=3SE66062BA04&lang=en)



last modified:

09.03.2015