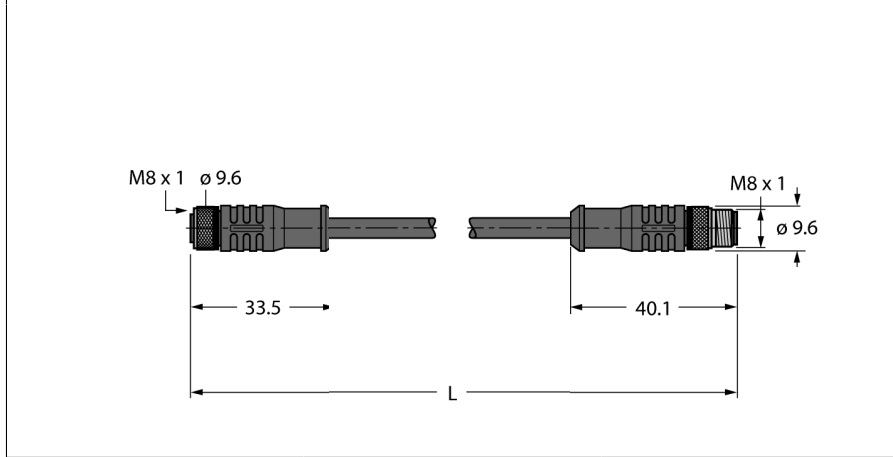


High-Temperature Resistant Actuator and Sensor Cable Extension Cable

HT-SKP3-1-HT-SSP3/S2430



- M8 female connector, straight, 3-pin
- M8 male connector, straight, 3-pin
- Sheath material: PTFE
- Sheath color: white
- Flame-retardant
- Resistant to welding sparks
- Resistant to chemicals, UV radiation and oils
- Resistant to acids and alkaline solutions
- LABS free
- Resistant to microbes and hydrolysis
- Cold and heat-flexible
- RoHS-compliant
- Protection class IP65
- Temperature range of the cable: -190°C...260°C
- Cable length: 1.0 m

Type designation HT-SKP3-1-HT-SSP3/S2430
Ident no. 8043355

Connector A side
 Number of pins Female connector, M8 (← 1, Straight)
 3
 Contacts Brass, CuZn, Gold-plated
 Contact carriers Plastic, PBT GF, Black
 Grip Plastic, PBT GF, Black
 Coupling nut/screw Brass, CuZn, Nickel-plated
 Seal Plastic, FPM/FKM
 Protection class IP65, A + B side screwed together
 Mechanical lifespan > 100 Mating cycles
 Pollution degree 3
 Tightening torque 0.5 ... 0.6 Nm
 (observe max. torque of counter piece!)

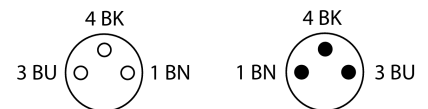
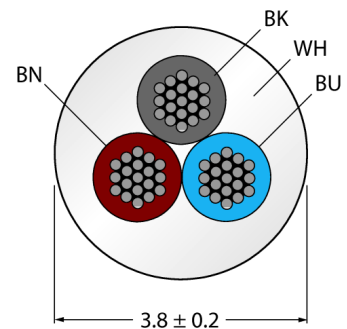
Connector B side
 Number of pins Connector, M8x1, Straight
 3 pins
 Contacts brass, CuZn, Gold-plated
 Contact carriers Plastic, PBT GF, Black
 Grip plastic, PBT GF, black
 Coupling nut/screw Brass, CuZn, Nickel-plated
 Protection class IP65, Only when screwed tight
 Mechanical lifespan > 100 Mating cycles
 Pollution degree 3
 Tightening torque 0.5 ... 0.6 Nm
 (observe max. torque of counter piece!)

General data
 Cable diameter 3.8 ± 0.20mm
 Cable length 1 m
 Cable quality PTFE
 Cable color White
 Core insulation PTFE
 Core colors BN, BU, BK
 Core cross-section 3x0.34mm²
 Arrangement of strands 7x0.254 mm

Electrical features at +20 °C
 Current 4 A
 Rated voltage 250 V
 Forward resistance ≤ 5 mΩ

Mechanical and chemical properties
 Bending radius (stationary laying) > 5 x Ø
 Bending radius (flexible use) > 10 x Ø
 Ambient temperature Stationary -20...+150°C

Cable Cross-section



Circuit Diagram

