



- Increased switching distance
- Innovative ASIC circuit technology
- Integrated error display
- Minimal mounting clearance thanks to wenglor weproTec

Inductive Sensors with increased switching distances are distinguished by rugged design, easy installation and reliable measured values. The large range makes additional types of sensor superfluous because they can also be used to implement special applications. In addition to error-free operation of several sensors in a very small space, the new generation also provides the possibility of detecting system errors before it's too late thanks to ASIC und wenglor weproTec.

## Technical Data

### Inductive Data

Switching Distance	6 mm
Correction Factors Stainless Steel V2A/CuZn/Al	1,11/0,62/0,61
Mounting	non-flush
Mounting A/B/C/D in mm	20/27/18/16
Mounting B1 in mm	0...12
Switching Hysteresis	< 10 %

### Electrical Data

Supply Voltage	10...30 V DC
Current Consumption (U <sub>b</sub> = 24 V)	< 10 mA
Switching Frequency	960 Hz
Temperature Drift	< 10 %
Temperature Range	-40...80 °C
Switching Output Voltage Drop	< 1 V
Switching Output/Switching Current	150 mA
Residual Current Switching Output	< 100 µA
Short Circuit Protection	yes
Reverse Polarity and Overload Protection	yes
Protection Class	III

### Mechanical Data

Housing Material	Plastic
Full Encapsulation	yes
Degree of Protection	IP67
Connection	Cable, 3-wire, 2 m
Cable Jacket Material	PVC

### Safety-relevant Data

MTTFd (EN ISO 13849-1)	3706,54 a
------------------------	-----------

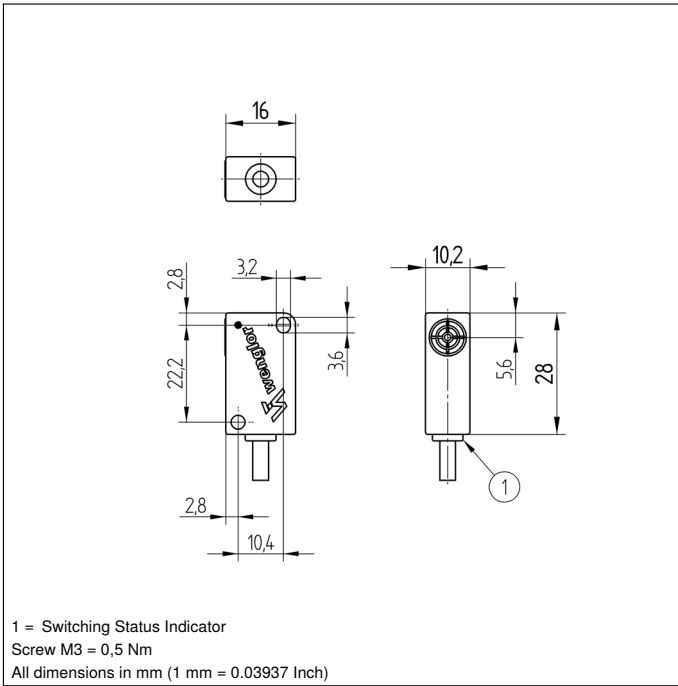
### Function

Error Indicator	yes
-----------------	-----

NPN NO	●
--------	---

Connection Diagram No.	<b>402</b>
------------------------	------------

\* Temperature range with permanently installed cable, bending radius: > 40 mm



Legend			
+	Supply Voltage +	PT	Platinum measuring resistor
-	Supply Voltage 0 V	nc	not connected
~	Supply Voltage (AC Voltage)	U	Test Input
A	Switching Output (NO)	Ū	Test Input inverted
Ā	Switching Output (NC)	W	Trigger Input
V	Contamination/Error Output (NO)	W-	Ground for the Trigger Input
ṽ	Contamination/Error Output (NC)	O	Analog Output
E	Input (analog or digital)	O-	Ground for the Analog Output
T	Teach Input	BZ	Block Discharge
Z	Time Delay (activation)	AWV	Valve Output
S	Shielding	a	Valve Control Output +
RxD	Interface Receive Path	b	Valve Control Output 0 V
TxD	Interface Send Path	SY	Synchronization
RDY	Ready	SY-	Ground for the Synchronization
GND	Ground	E+	Receiver-Line
CL	Clock	S+	Emitter-Line
E/A	Output/Input programmable	±	Grounding
	IO-Link	SnR	Switching Distance Reduction
PoE	Power over Ethernet	Rx+/-	Ethernet Receive Path
IN	Safety Input	Tx+/-	Ethernet Send Path
OSSD	Safety Output	Bus	Interfaces-Bus A(+)/B(-)
Signal	Signal Output	La	Emitted Light disengageable
Bl..D+/-	Ethernet Gigabit bidirect. data line (A-D)	Mag	Magnet activation
EN0..5A2Z	Encoder 0-pulse 0-0 (TTL)	RES	Input confirmation
		EDM	Contacting Monitoring
		EN1..5A2Z	Encoder A/Ā (TTL)
		EN2..5A2Z	Encoder B/B̄ (TTL)
		ENa	Encoder A
		ENb	Encoder B
		AMIN	Digital output MIN
		AMAX	Digital output MAX
		AOk	Digital output OK
		SY In	Synchronization In
		SY OUT	Synchronization OUT
		OLt	Brightness output
		M	Maintenance reserved
		rsv	reserved
			Wire Colors according to IEC 60757
		BK	Black
		BN	Brown
		RD	Red
		OG	Orange
		YE	Yellow
		GN	Green
		BU	Blue
		VT	Violet
		GY	Grey
		WH	White
		PK	Pink
		GNVE	Green/Yellow

## Mounting

