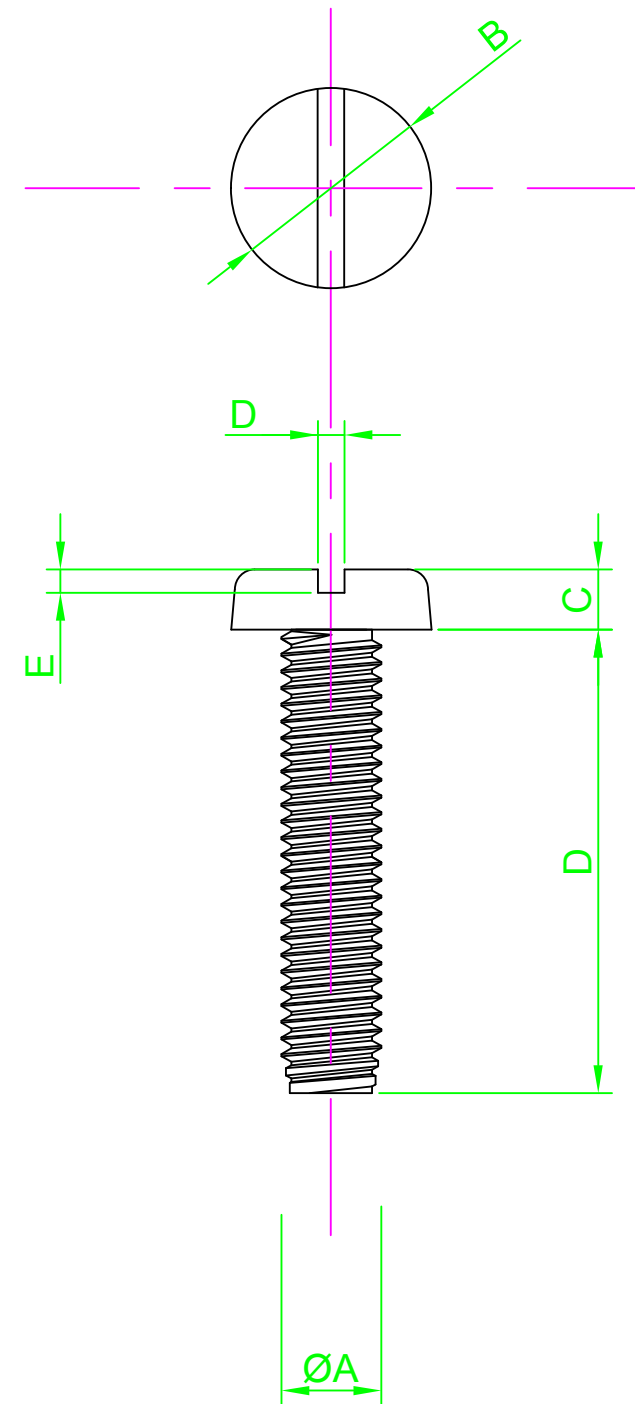


DO NOT SCALE DRAWING

REVISION

A INITIAL DRAWING 21.9.15



Part Number	ØA	B Nom	C Max	D Nom	E Min	F Length
M3 6 PSSTMC B100	M3-0.5	6.0	1.8	0.8	0.7	6.0
M3 10 PSSTMC B100						10.0
M3 12 PSSTMC B100						12.0
M4 10 PSSTMC B100	M4-0.7	8.0	2.4	1.2	1.0	10.0
M4 12 PSSTMC B100						12.0
M6 16 PSSTMC B100	M6-1.0	12.0	3.6	1.6	1.4	16.0
M6 20 PSSTMC B100						20.0

NOTES:



UNLESS OTHERWISE SPECIFIED:
DIMENSIONS ARE IN MM (MILLIMETERS).
SURFACE FINISH:
TOLERANCES: DIN 85

MATERIAL:
Steel

TITLE:
Slotted Pan Head Machine Screw DIN 85

	NAME	DATE
DRAWN	Darryl Wilson	21.09.15
CHK'D		
APPVD		

HEAT TREATMENT:
N/A

DESIGN RIGHT. TR FASTENINGS LTD, 2003
UNDER NO CIRCUMSTANCES MUST THIS
DRAWING BE COPIED OR DISCLOSED
WITHOUT FIRST OBTAINING WRITTEN
AUTHORITY.

CUSTOMER PART NUMBER:
N/A

FINISH:
Commercial Zinc/Black Cr3

DRAWING NUMBER:
TR32PSSTMCB100

A4