

**Mechanical actuator for Normally Closed (N.C.)
Miniature solenoid valve**

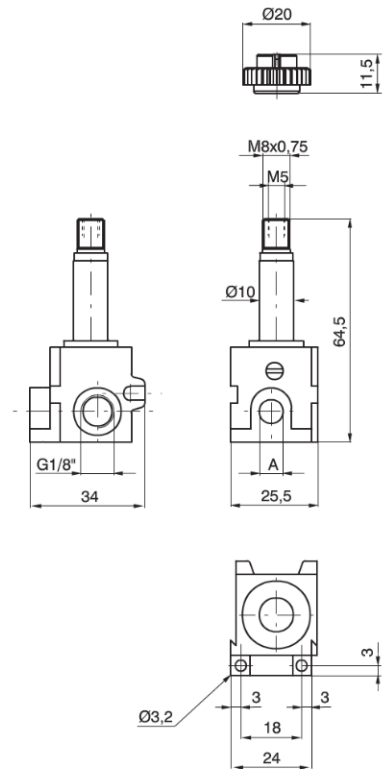
Normally Closed (N.C.)

Ordering code

- 305.M1 A = G 1/8"
- 355.M1 A = M5
- 345.M1 A = Push in fitting for 4 mm tube

- 305.M1/9 A = G 1/8"
- 355.M1/9 A = M5
- 345.M1/9 A = Push in fitting for 4 mm tube

2 W
24 DC

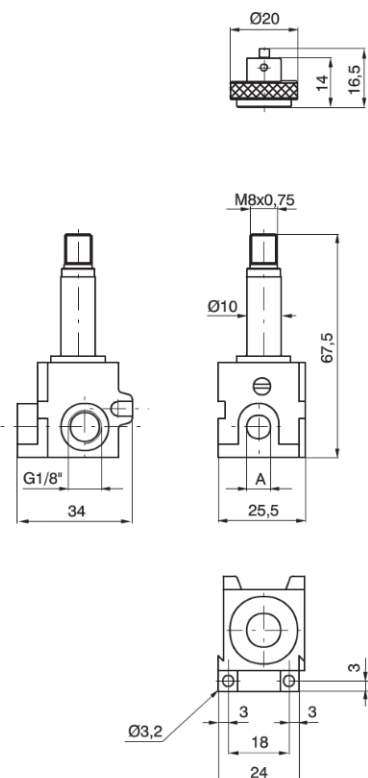


Weight gr. 95

Normally Open (N.O.)

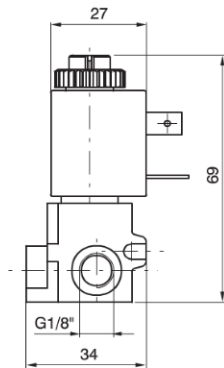
Ordering code

- 305.M1/1 A = G 1/8"
- 355.M1/1 A = M 5
- 345.M1/1 A = Push in fitting for 4 mm tube



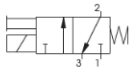
Weight gr. 106

Miniature solenoid valve

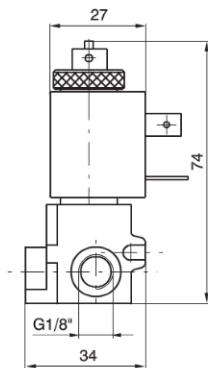


Normally Closed (N.C.)

Weight gr. 149

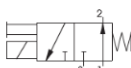


Ordering code			Available voltage miniature solenoid	
G 1/8"	M5	TUBE Ø4 mm		
305.M4	355.M4	345.M4	12 D.C.	Direct current
305.M5	355.M5	345.M5	24 D.C.	
305.M6	355.M6	345.M6	48 D.C.	
305.M9	355.M9	345.M9	24 D.C. (2 Watt)	
305.M17	355.M17	345.M17	24/50	Alternating current 50 Hz
305.M21	355.M21	345.M21	48/50	
305.M22	355.M22	345.M22	110/50	
305.M24	355.M24	345.M24	220/50	
305.M37	355.M37	345.M37	24/60	Alternating current 60 Hz
305.M39	355.M39	345.M39	110/60	
305.M41	355.M41	345.M41	220/60	
305.M56	355.M56	345.M56	24/50-60	Alternating current 50/60 Hz
305.M57	355.M57	345.M57	110/50-60	
305.M58	355.M58	345.M58	220/50-60	
305.M66	355.M66	345.M66	24/50-60	Alternating current low consumption 50/60 Hz
305.M67	355.M67	345.M67	110/50-60	
305.M68	355.M68	345.M68	220/50-60	



Normally Open (N.O.)

Weight gr. 165

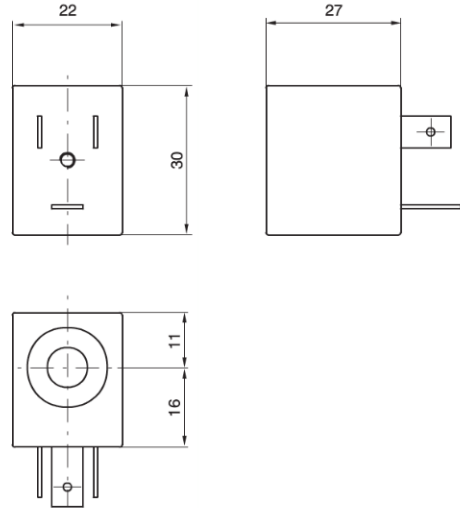


Ordering code			Available voltages miniature solenoid	
G 1/8"	M5	TUBE Ø4 mm		
305.M10/1	355.M10/1	345.M10/1	24 D.C. (8 Watt)	Direct current
305.M17/1	355.M17/1	345.M17/1	24/50	Alternating current 50 Hz
305.M21/1	355.M21/1	345.M21/1	48/50	
305.M22/1	355.M22/1	345.M22/1	110/50	
305.M24/1	355.M24/1	345.M24/1	220/50	
305.M37/1	355.M37/1	345.M37/1	24/60	Alternating current 60 Hz
305.M39/1	355.M39/1	345.M39/1	110/60	
305.M41/1	355.M41/1	345.M41/1	220/60	
305.M56/1	355.M56/1	345.M56/1	24/50-60	Alternating current 50/60 Hz
305.M57/1	355.M57/1	345.M57/1	110/50-60	
305.M58/1	355.M58/1	345.M58/1	220/50-60	

Coil



Weight gr. 54



Ordering code		Available voltages	
N.C.	N.O.	Coil	
MB4		12 D.C.	Direct current
MB5		24 D.C.	
MB6		48 D.C.	
MB9		24 D.C. (2 Watt)	
	MB10/1	24 D.C. (8 Watt)	
MB17	MB17/1	24/50	Alternating current 50 Hz
MB21	MB21/1	48/50	
MB22	MB22/1	110/50	
MB24	MB24/1	220/50	
MB37	MB37/1	24/60	Alternating current 60 Hz
MB39	MB39/1	110/60	
MB41	MB41/1	220/60	
MB56	MB56/1	24/50-60	Alternating current 50/60 Hz
MB57	MB57/1	110/50-60	
MB58	MB58/1	220/50-60	
MB66		24/50-60	Alternating current (low consumption) 50/60 Hz
MB67	/	110/50-60	
MB68		220/50-60	

Electrical connector

Ordering code

- 305.11.00** Normal
- 305.11.0 L** with Led
 - 1 = 24 V.D.C. / A.C.
 - 2 = 110 V 50/60 Hz
 - 3 = 220 V 50/60 Hz



Weight gr. 19

