



Encoder accessories

 [Encoder accessories \(PDF 139 KB\)](#)



WDGHA12

Adapter sleeves for bore size Ø 12 mm

for thru-bore encoder WDG 58H and
hollow bore (blind) encoder WDG 58E

[→ Print version](#)

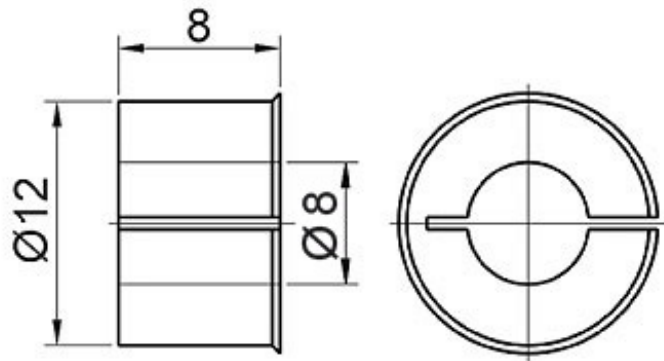
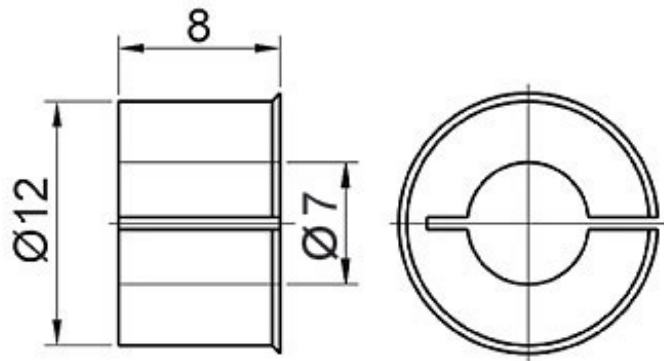
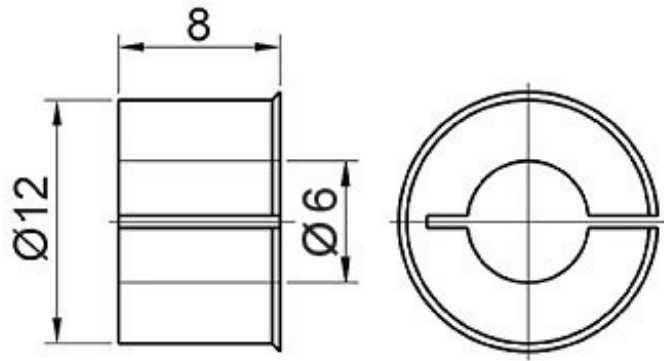
Product data

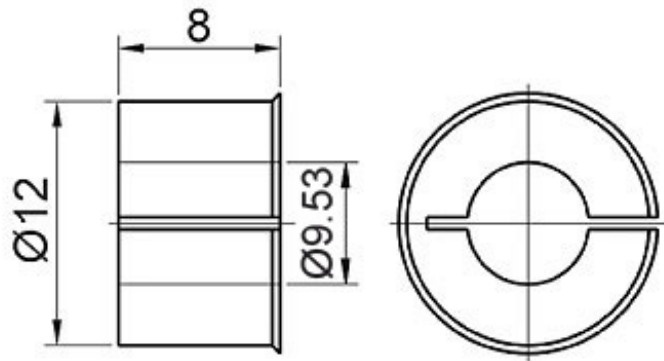
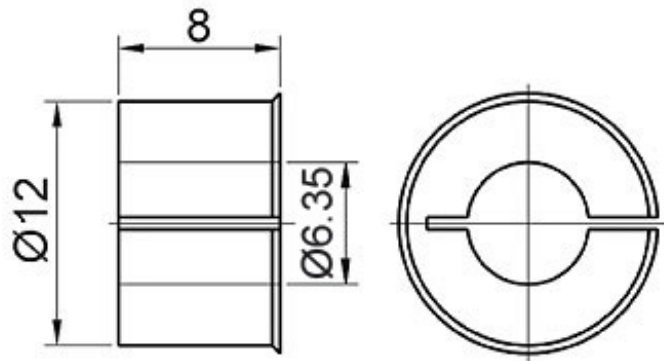
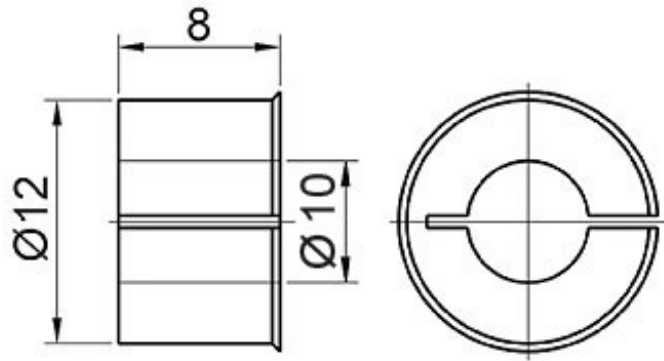
Order number(s)

WDGHA1206	Adapter sleeve: Ø d = 6 mm
WDGHA1207	Adapter sleeve: Ø d = 7 mm
WDGHA1208	Adapter sleeve: Ø d = 8 mm
WDGHA1210	Adapter sleeve: Ø d = 10 mm
WDGHA1263	Adapter sleeve: Ø d = 6,35 mm
WDGHA1295	Adapter sleeve: Ø d = 9,53 mm

Drawings

All dimensional specifications in mm







For further information please contact our local distributor.
Here you find a list of our [distributors worldwide](#)

Wachendorff Automation GmbH & Co. KG - Industriestrasse 7 - D-65366 Geisenheim
wdg@wachendorff.de - Tel. +49 6722 996525 - Fax +49 6722 996570