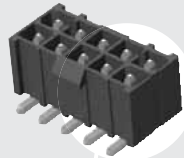




IPBT-105-H2-T-D-K



IPBT-108-H1-T-D-RA-K



IPBT-105-H1-T-D-GP

IPBT SERIES

(4.19 mm) .165"

ISOLATED TERMINAL POWER HEADER

SPECIFICATIONS

For complete specifications see www.samtec.com?IPBT

Insulator Material: Black Liquid Crystal Polymer

Contact Material: High Copper Alloy

Plating: Sn over 50µm (1.27 µm) Ni

Operating Temp Range: -55°C to +105°C

Voltage Rating: 400 VAC/565 VDC

RoHS Compliant: Yes

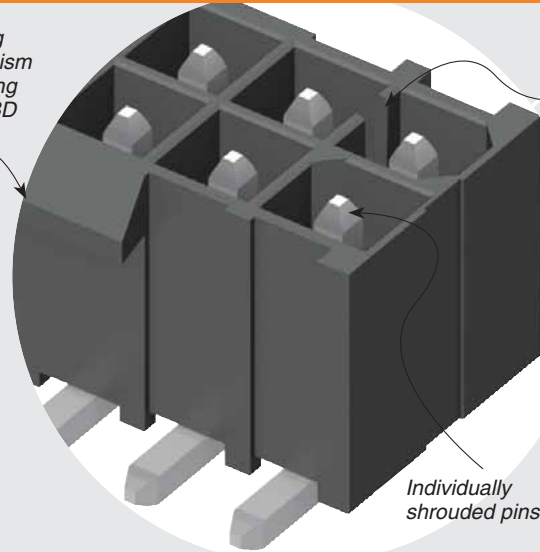
Lead-Free Solderable: Yes

Yes

Mates with:
IPBS, IPBD,
PMSD, PMSS

IPBT/IPBS	
PINS POWERED	CURRENT RATING (PER CONTACT)
2	10.3 A
4	8.4 A
6	7.6 A
8	7.1 A
30	6.0 A

Latching mechanism for mating with IPBD Series



Keyed Polarization



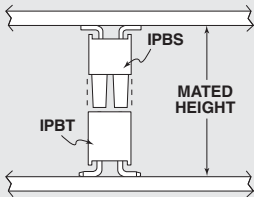
- Individually shrouded contacts
- Polarized guide post hole option

RECOGNITIONS

For complete scope of recognitions see www.samtec.com/quality



APPLICATION



IPBT/IPBS LEAD STYLE	MATED HEIGHT*
H1-01	(15.25) .600
-H2-02	(16.84) .663

*Processing conditions will affect mated height.

IPBT — **1** NO. OF POSITIONS PER ROW — **LEAD STYLE** — **PLATING OPTION** — **ROW OPTION** — **OPTION**

02, 03, 04, 05, 08, 10, 15
(-D only)

02, 03, 04, 05, 08, 10
(-S only)
(Standard sizes)

-H1 = Through-Hole
-H2 = Surface Mount

-T = Matte Tin

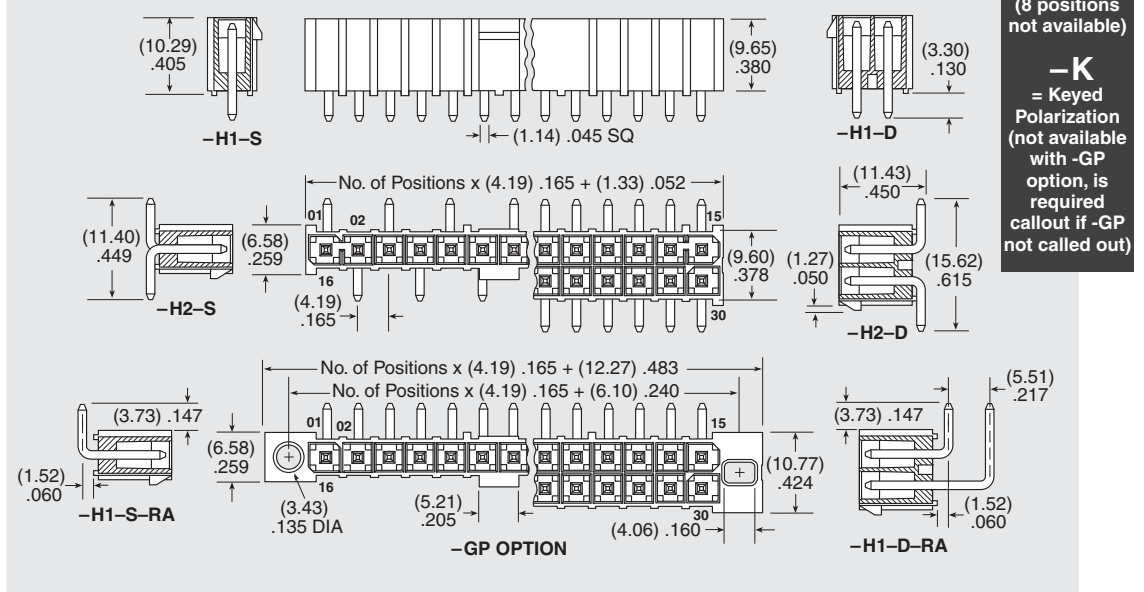
-S = Single Row
-D = Double Row

-RA = Right Angle (Lead Style -H1 only)
-GP = Guide Post Holes (8 positions not available)

-K = Keyed Polarization (not available with -GP option, is required callout if -GP not called out)

ALSO AVAILABLE (MOQ Required)

- Other sizes
 - Other lead styles
- Contact Samtec.



Note: Some lengths, styles and options are non-standard, non-returnable.