

**HDC insert**  
**HDC HQ 5 FC**

**Weidmüller Interface GmbH & Co. KG**  
 Klingenbergstraße 16  
 D-32758 Detmold  
 Germany  
 Fon: +49 5231 14-0  
 Fax: +49 5231 14-292083  
 www.weidmueller.com



A small unit that packs a big punch. The electrical values speak for themselves. Proven HE crimp contacts can also be used here.

Number of poles: **5 (+PE)**

Rated current: **16 A**

Rated voltage: **250 V**

Rated voltage acc. to UL/CSA: **600 V AC/DC**

Crimp connection

**General ordering data**

Type	HDC HQ 5 FC
Order No.	<a href="#">1912460000</a>
Version	HDC insert, Female, 250 V, 16 A, No. of poles: 5, Crimp connection, Size: 1
GTIN (EAN)	4032248542055
Qty.	1 pc(s).

**HDC insert  
HDC HQ 5 FC**

**Weidmüller Interface GmbH & Co. KG**  
Klingenbergstraße 16  
D-32758 Detmold  
Germany  
Fon: +49 5231 14-0  
Fax: +49 5231 14-292083  
www.weidmueller.com

**Technical data**
**Dimensions and weights**

Length	21 mm	Length (inches)	0.827 inch
Width	21 mm	Width (inches)	0.827 inch
Height	40.1 mm	Height (inches)	1.579 inch
Net weight	15 g		

**Temperatures**

Limit temperature	-40 °C ... 125 °C
-------------------	-------------------

**Dimensions**

Height of socket	40.1 mm	Total length base	21 mm
------------------	---------	-------------------	-------

**General data**

Insulating material	PC glass-fibre reinforced (UL-listed and railway-certified)	Insulating material group	IIIa
Insulation resistance	$10^{10} \Omega$	Material	Copper alloy
No. of poles	5	Plugging cycles, gold	$\geq 500$
Plugging cycles, silver	$\geq 500$	Pollution severity	3
Rated current (DIN EN 61984)	16 A	Rated impulse voltage (DIN EN 61984)	6 kV
Rated voltage (DIN EN 61984)	250 V	Rated voltage according to UL/CSA	600 V AC/DC
Series	HQ	Size	1
Surface finish	Silver passivated, gold	Type	Female
UL 94 flammability rating	V-0	Volume resistance	$\leq 2m\Omega$

**Connection data PE**

Blade size, slotted (PE connection)	SD 0.6 x 3.5	Connection type PE	Screw connection
Fixing screw	M 3	Rated cross-section	2.5 mm <sup>2</sup>
Stripping length PE connection	10 mm	Tightening torque, max. PE connection	0.55 Nm
Tightening torque, min. PE connection	0.5 Nm	Wire connection cross section, finely stranded, max.	2.5 mm <sup>2</sup>
Wire connection cross-section, finely stranded with wire-end ferrules DIN 46228/4, max.	2.5 mm <sup>2</sup>	Wire connection cross-section, finely stranded with wire-end ferrules DIN 46228/4, min.	0.5 mm <sup>2</sup>
Wire connection cross-section, finely stranded, min.	0.5 mm <sup>2</sup>	Wire cross section, AWG (PE), max.	AWG 14
Wire cross section, AWG (PE), min.	AWG 20		

**Version**

Conductor cross-section, max.	4 mm <sup>2</sup>	Conductor cross-section, min.	0.5 mm <sup>2</sup>
Material	Copper alloy	Size	1
Stripping length, rated connection	7.5 mm	Surface finish	Silver passivated, gold
Type of connection	Crimp connection	Volume resistance	$\leq 2m\Omega$
Wire connection cross section AWG, max.	AWG 12	Wire connection cross section AWG, min.	AWG 20
Wire connection cross section, finely stranded, max.	2.5 mm <sup>2</sup>	Wire connection cross-section, finely stranded with wire-end ferrules DIN 46228/4, max.	2.5 mm <sup>2</sup>
Wire connection cross-section, finely stranded with wire-end ferrules DIN 46228/4, min.	0.5 mm <sup>2</sup>	Wire connection cross-section, finely stranded, min.	0.5 mm <sup>2</sup>

Creation date July 2, 2018 10:58:28 AM CEST

**HDC insert  
HDC HQ 5 FC**

**Weidmüller Interface GmbH & Co. KG**  
 Klingenbergstraße 16  
 D-32758 Detmold  
 Germany  
 Fon: +49 5231 14-0  
 Fax: +49 5231 14-292083  
 www.weidmueller.com

**Technical data**

**Classifications**

ETIM 3.0	EC001121	ETIM 4.0	EC000438
ETIM 5.0	EC000438	ETIM 6.0	EC000438
UNSPSC	30-21-18-01	eClass 5.1	27-14-34-19
eClass 6.2	27-26-12-04	eClass 7.1	27-44-02-05
eClass 8.1	27-44-02-05	eClass 9.0	27-44-02-05
eClass 9.1	27-44-02-05		

**Product information**

Descriptive text technical data	Rated voltage via pin/PE: 250 V.  Earthing via plug and socket contact by means of an M3 slotted screw.
Descriptive text accessories	Accessories, see chapter J - Tools, see chapter K

**Approvals**

Approvals



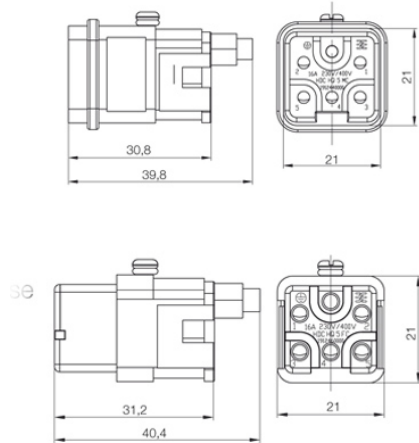
ROHS Conform

**Downloads**

Brochure/Catalogue	<a href="#">CAT 3 HDC 17/18 EN</a> <a href="#">FL FIELDWIRING EN</a>
Engineering Data	<a href="#">EPLAN, WSCAD, Zuken E3.S</a>

**HDC insert  
HDC HQ 5 FC**

**Weidmüller Interface GmbH & Co. KG**  
Klingenbergstraße 16  
D-32758 Detmold  
Germany  
Fon: +49 5231 14-0  
Fax: +49 5231 14-292083  
[www.weidmueller.com](http://www.weidmueller.com)

**Drawings**

# Tightening torques and screwing tools

Screw size	Connector type	Dia. tightening torque in Nm	Recommended blade inserts and AF size for hexagon socket	
<b>M 2.5</b>	<b>Signal contacts</b>			
	S 6/6	0.5 - 0.55	SD 0.6 x 3.5 mm or PZ0	
	S 6/12	0.5 - 0.55	SD 0.6 x 3.5 mm or PZ0	
<b>M 2.9 x 0.5</b>	<b>Fastening screws</b>			
	HQ 4/2	0.8 (plastic) / 1.1 (metal)	SD 0.6 x 3.5 mm or PH0	
	HQ 8	0.8 (plastic) / 1.1 (metal)	SD 0.6 x 3.5 mm or PH0	
	HQ 17	0.8 (plastic) / 1.1 (metal)	SD 0.6 x 3.5 mm or PH0	
<b>M 3</b>	<b>Contact screws</b>			
	HA 3	0.5 - 0.55	SD 0.5 x 3.0 mm	
	HA 4	0.5 - 0.55	SD 0.5 x 3.0 mm	
	HA 10 bis HA 48	0.5 - 0.55	SD 0.6 x 3.5 mm or PH0	
	HE	0.5 - 0.55	SD 0.6 x 3.5 mm or PZ0	
	HVE	0.5 - 0.55	SD 0.6 x 3.5 mm or PZ0	
	<b>Signal contacts:</b>			
	S 4/2	0.5 - 0.55	SD 0.6 x 3.5 mm or PZ0	
	S 4/8	0.5 - 0.55	SD 0.6 x 3.5 mm or PZ0	
	<b>PE connection via female contact</b>			
	S 4	0.5 - 0.8	SD 0.6 x 3.5 mm	
	ConCept modular frame, metal	0.5 - 0.55	SD 0.6 x 3.5 mm	
	<b>PE terminal</b>			
	HQ 5	0.5 - 0.55	SD 0.6 x 3.5 or 0.8 x 4 mm	
	HQ 7	0.5 - 0.55	SD 0.6 x 3.5 or 0.8 x 4 mm	
	<b>Fastening screws</b>	0.5 - 0.55	SD 0.6 x 3.5 mm or PZ0	
	<b>Guide pin</b>	0.5 - 0.55	SD 0.6 x 3.5 mm or PZ0	
	<b>Guide bush</b>	0.5 - 0.55	SD 0.6 x 3.5 mm or PZ0	
	<b>Coding pins</b>	0.5 - 0.55	SD 0.6 x 3.5 mm or PZ0	
	<b>M 4</b>	<b>Contact screws</b>		
		HSB	1.2 - 1.5	SD 0.6 x 3.5 or 0.8 x 4 mm or PZ1
<b>PE connection via male contact</b>				
S 4		0.5 - 0.8	SD 0.6 x 3.5 mm	
ConCept modular frame, metal		1.2 - 1.5	SD 0.6 x 3.5 mm	
<b>PE terminal</b>				
HA		1.2 - 1.5	SD 0.6 x 3.5 or 0.8 x 4 mm or PH1	
HE		1.2 - 1.5	SD 0.6 x 3.5 or 0.8 x 4 mm or PH1	
HEE		1.2 - 1.5	SD 0.6 x 3.5 or 0.8 x 4 mm or PH1	
HVE		1.2 - 1.5	SD 0.6 x 3.5 or 0.8 x 4 mm or PH1	
HD		1.2 - 1.5	SD 0.6 x 3.5 or 0.8 x 4 mm or PZ1	
HDD		1.2 - 1.5	SD 0.6 x 3.5 or 0.8 x 4 mm or PZ1	
S 6/6 (for signal contacts)		1.2 - 1.5	0.8 x 4 mm or PZ1	
ConCept modular frame, plastic		1.2 - 1.5	0.8 x 4 mm or PZ1	
<b>M 5</b>		<b>PE terminal</b>		
		HSB	2 - 2.5	SD 1 x 5.5 mm or PZ2
		S 4/0 (Screw connection)	2 - 2.5	SD 1.2 x 6.5 mm or PH2
	S 4/0 (Axial screw connection)	2 - 2.5	SD 0.8 x 4 mm or PZ 2	
	S 4/2	2 - 2.5	SD 1.2 x 6.5 mm or PH2	
	S 4/8	2 - 2.5	SD 1.2 x 6.5 mm or PH2	
	S 6/12	2 - 2.5	SD 0.8 x 4 mm or PZ 2	
	S 6/36	2 - 2.5	SD 1.2 x 6.5 mm or PH2	
	S 8/24	2 - 2.5	SD 1.2 x 6.5 mm or PH2	
	S 12/2	2 - 2.5	SD 1.2 x 6.5 mm or PH2	
	<b>M 6</b>	<b>Power contacts</b>		
S 4/0 (Screw connection)		1.2 (1.5 mm <sup>2</sup> ) / 2 (2.5 mm <sup>2</sup> ) / 3 (4-16 mm <sup>2</sup> )	SD 0.8 x 4 mm	
S 4/2		1.2 (1.5 mm <sup>2</sup> ) / 2 (2.5 mm <sup>2</sup> ) / 3 (4-16 mm <sup>2</sup> )	SD 0.8 x 4 mm	
S 4/8		1.2 (1.5 mm <sup>2</sup> ) / 2 (2.5 mm <sup>2</sup> ) / 3 (4-16 mm <sup>2</sup> )	SD 0.8 x 4 mm	
<b>M 7 x 0.75</b>	<b>Power contacts</b>			
	S 4	1.1 - 1.7	SW 2	
	S 6/6 (+ PE)	6 - 8	SW 4	
<b>M 8 x 0.75</b>	<b>Power contacts</b>			
	S 6/12	1.1 - 1.7	SW 2	
	S 8/0 (+ PE)	6 (10-16 mm <sup>2</sup> ) - 7 (25 mm <sup>2</sup> )	SW 4	
<b>M10 x 1</b>	<b>Power contacts</b>			
	S 4/0 (Axial connection)	2 - 3	SW 3	

Increasing the tightening torque does not improve the contact resistance. The stated torque settings offer optimal mechanical, thermal and electrical conditions. Exceeding the recommended values may even damage the conductor and terminal.