

Products

A1 series | Single-pole switch 10A quick connection 4.8 black body



sample image

PRODUCT CODE: A113110000

Wiring diagrams



Terminal type



accessories

Body colour



Actuator colour



Marking



Rating

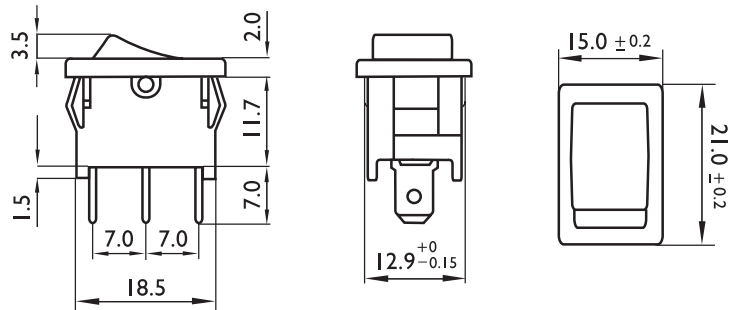
10 (4) A / 250 VAC
6 (6) A / 250 VAC
6 (4) A / 250 VAC - 5E4
T125 °C

10 A / 125 VAC
 1/3 HP - 125 VAC
 10 A / 250 VAC
 1/2 HP - 250VAC
 T105 °C

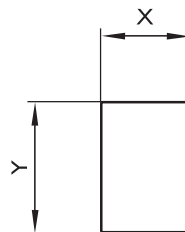
Approvals



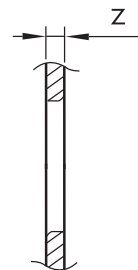
Dimensions (mm)



Cut out (mm)



Z	Y	X
0.7-1.25	19.0±0.1	13.0±0.1
1.25-2.0	19.3±0.2	13.0±0.1
2.0-3.0	19.6±0.2	13.0±0.1



Termination

