

Product Change Notification

PCN20-10 – KSC1 Packaging change

C&K

2 rue Berthollet - B.P. 359 F-39105 Dole Cedex - France
Tel : +33 (0)3 84 72 81 12 www.ckswitches.com

Document subject to change without prior notice

Document revision

Revision	Date	Description	Author
A	July 13 th , 2020	Creation	R.CLEMENT

C&K

2 rue Berthollet - B.P. 359 F-39105 Dole Cedex - France
Tel : +33 (0)3 84 72 81 12 www.ckswitches.com

Document subject to change without prior notice

Summary

1. Purpose	4
2. Overview	4
3. Impact of Change	4
4. Part References affected	5
5. Date of application	6
6. Conditions of application	6
7. Support	6

1. Purpose

KSC1 versions packaging change.

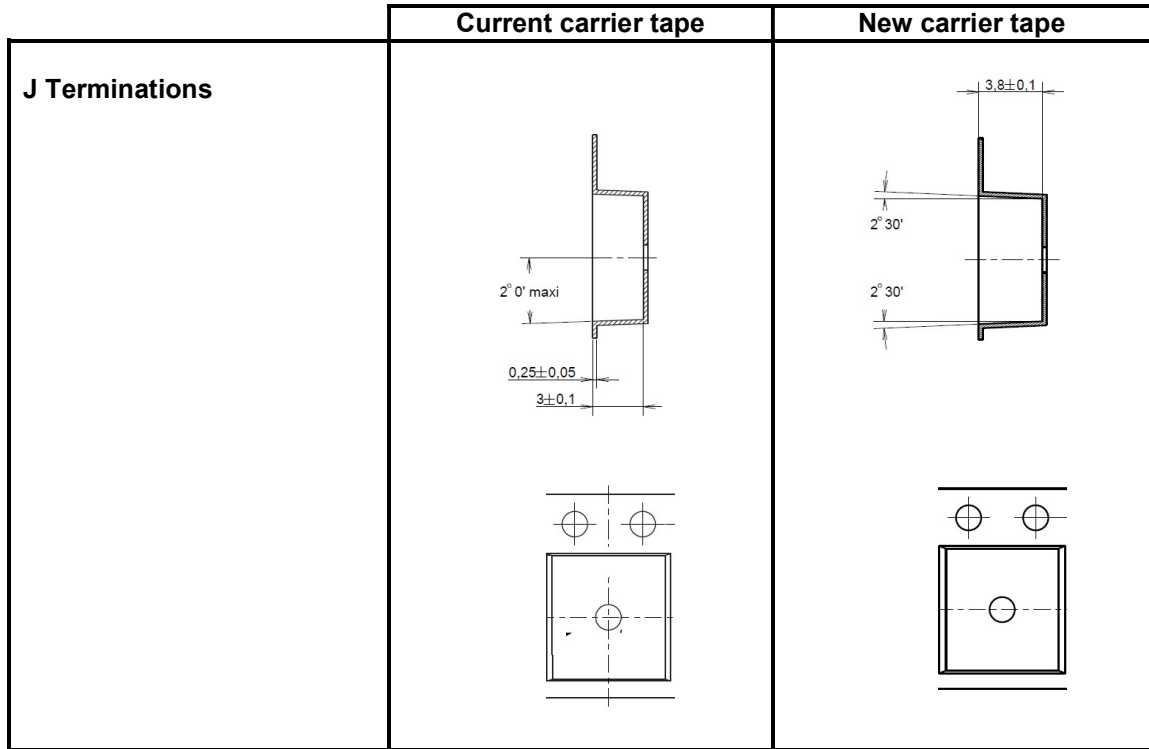
2. Overview

Replacement of the carrier tapes of KSC1 series for G & J versions.
Standardization with KSC2 & KSC3 series

3. Impact of Change

- 3.1 Impact of Change:
- No change in the switch itself
 - No change of the reels
 - No change of the width of the carrier tapes
 - No change of the cover tape
 - No changes of quantities per reel
 - Only the pockets of the carrier tapes are concerned: Depths are more important.

	Current carrier tape	New carrier tape
G Terminations		



3.2 Qualification: Validation of the new carrier tapes by C&K.

4. Part References affected

Part Reference	Designation	Terminations
Y31B11135FP LFS	KSC121G LFS	G
Y31B41135FP LFS	KSC141G LFS	
Y31B43135FP LFG	KSC143G LFG	
Y31B51135FP LFS	KSC151G LFS	
Y31B53135FP LFG	KSC153G LFG	
Y31B11131FP LFS	KSC121J LFS	J
Y31B41131FP LFS	KSC141J LFS	
Y31B43131FP LFG	KSC143J LFG	
Y31B51131FP LFS	KSC151J LFS	
Y31B53131FP LFG	KSC153J LFG	

C&K

2 rue Berthollet - B.P. 359 F-39105 Dole Cedex - France
 Tel : +33 (0)3 84 72 81 12 www.ckswitches.com

Document subject to change without prior notice

5. Date of application

Last time buy: Not applicable

Implementation date: Immediate

This PCN is for information to those who is presently buying this part number. It will be effect starting from 1 July 2020.

6. Conditions of application

- Ordering: Not affected.
- Pricing: Not affected.
- Stock: Not affected.

7. Support

For any question, please contact your C&K sales representative.