



# HF-Regulator II for PL-L lamps

HF-R 140 PL-L EII 220-240V 50/60Hz

High-frequency electronic dimming ballast, using the analog protocol (1-10 V) for PL-L lamps

## Product data

### • General Characteristics

|                              |             |
|------------------------------|-------------|
| Interface                    | 1-10V       |
| Application code             | EII         |
| Rated Lamptype               | PL-L        |
| Rated Number of Lamps        | 1 piece     |
| Rated Ballast-Lamp Power     | 40          |
| Line Voltage                 | 220-240 V   |
| Line Frequency               | 50/60 Hz    |
| Housing                      | L 359x30x22 |
| Energy Efficiency Index      | A1          |
| Lifetime 90% surv.@Tcaselife | 50000 hr    |
| Ignition Method              | Warm Start  |

|                                |                        |
|--------------------------------|------------------------|
| Battery voltage running lamps  | 154-276                |
| Overvoltage protection 320Vac  | 48 hr                  |
| Overvoltage protection 350Vac  | 2 hr                   |
| Control input protection       | Yes (Basic insulation) |
| Max ballast on MCB(16A type B) | 28 x                   |
| Stable lamp operation temp.    | - [Not specified]      |
| Crestfactor                    | 1.7 (max) -            |
| Hum and Noise level            | Inaudible              |
| Total Harmonic Distortion EUR  | 7 %                    |

### • Operating Characteristics

|                                |                        |
|--------------------------------|------------------------|
| Automatic restart              | Yes                    |
| Ignition time                  | 0.2 (max) s            |
| Operating frequency            | 45 (min), 89 (max) kHz |
| Mains voltage safety (AC)      | -10%/+10%              |
| Mains voltage performance (AC) | -8%/+6%                |
| Inrush current Peak            | 27 (max) A             |
| Inrush current Width           | 0.25 ms                |
| Earth leakage current          | 0.5 (max) mA           |
| Power losses gear              | 5.6 W                  |
| Regulating level power         | 1%-100%                |
| PowerFactor 100% output power  | 0.98 -                 |
| Battery voltage lamp ignition  | 196 V                  |

### • Wiring Characteristics

|                                |   |
|--------------------------------|---|
| Conn.type input terminals      | WAGO 251 universal connector [Suitable for both automatic wiring (ALF and ADS) and manual wiring] |
| Conn.type output terminals     | WAGO 251 universal connector [Suitable for both automatic wiring (ALF and ADS) and manual wiring] |
| Conn.type ctrl input terminals | WAGO 251 universal connector [Suitable for both automatic wiring (ALF and ADS) and manual wiring] |
| Striplength                    | 8.0-9.0 mm  |
| Dual fixture Master/Slave      | Not applicable [Master/Slave oper. not applicable]  |
| Wcs Control input terminals    | 0.50-1.00 mm <sup>2</sup>   |
| Wcs Input terminals            | 0.50-1.00 mm <sup>2</sup>   |
| Wcs Output terminals           | 0.50-1.00 mm <sup>2</sup>   |

**PHILIPS**

# HF-Regulator II for PL-L lamps

Wcs auto insertion (ALF/ADS) 0.5 mm<sup>2</sup>

### • Temperature Characteristics

T-ignition 0 (min), 50 (max) C  
 T-ambient -20 (min), 50 (max) C  
 T-storage -25 (min), 80 (max) C

### • Product Dimensions

Length A1 359 mm  
 Fixing Hole Distance 350 mm  
 Length A2  
 Width B1 30 mm  
 Height C1 22 mm  
 Fixing Hole Diameter 4.2 mm  
 D1

### • Approval & Application Chars

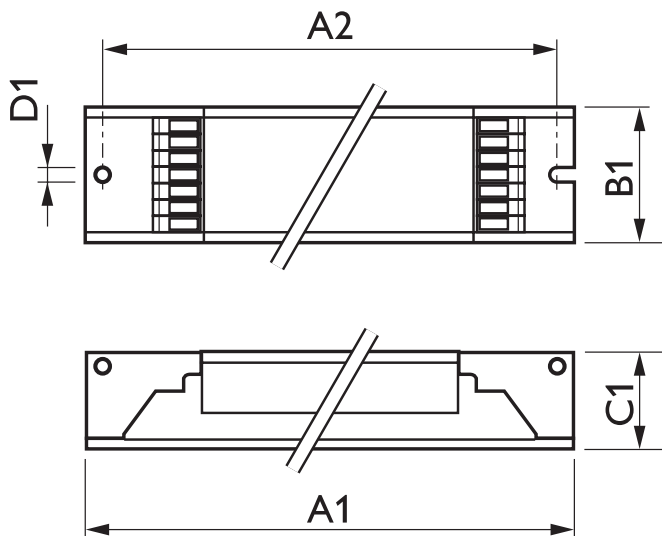
EMI 9kHz .. 30 MHz EN 55015  
 EMI 30 MHz .. 1000MHz EN 55022 level B [Level = Class]  
 Safety Standard IEC 61347-2-3  
 Performance Standard IEC 60929  
 Quality Standard ISO 9000:2000  
 Environmental Standard ISO 14001

Harmonic current emissions IEC 61000-3-2  
 EMC Immunity IEC 61547  
 Vibrations IEC 68-2-6 Fc  
 Bumps IEC 68-2-29 Eb  
 Humidity EN 61347-2-3 clause 11  
 Approval marks ENEC / VDE-EMV  
 CE marking Yes  
 Temperature marking 110 [Yes]  
 Emergency standard IEC 60598-2-22

### • Product Data

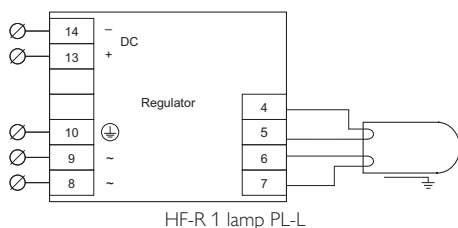
Order code 913700633066  
 Full product code 913700633066  
 Full product name HF-R 140 PL-L EII 220-240V 50/60Hz  
 Order product name HF-R 140 PL-L EII 220-240V 50/60Hz  
 Pieces per pack 1  
 Packing configuration 12  
 Packs per outerbox 12  
 Bar code on pack - EAN1 8711500914705  
 Bar code on outerbox - EAN3 8711500914712  
 Logistic code(s) - 12NC 913700633066  
 Net weight per piece 0.260 kg

## Dimensional drawing



### HF-R 140 PL-L EII 220-240V 50/60Hz

| Product                            | A1 (Norm) | A2 (Norm) | B1 (Norm) | C1 (Norm) | D1 (Norm) |
|------------------------------------|-----------|-----------|-----------|-----------|-----------|
| HF-R 140 PL-L EII 220-240V 50/60Hz | 359       | 350       | 30        | 22        | 4.2       |





© 2014 Koninklijke Philips N.V. (Royal Philips)  
All rights reserved.

Specifications are subject to change without notice. Trademarks are the property of Koninklijke Philips N.V. (Royal Philips) or their respective owners.

[www.philips.com/lighting](http://www.philips.com/lighting)

2014, April 11  
data subject to change