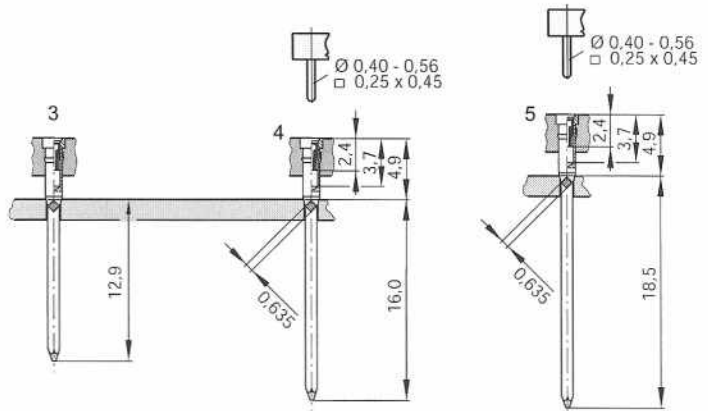
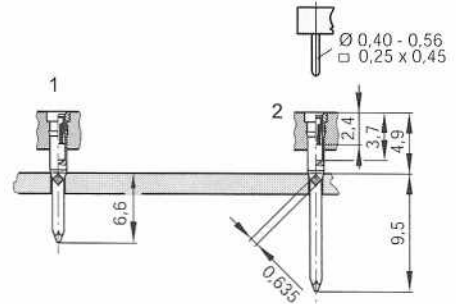
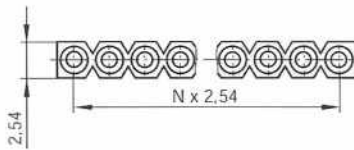


DIL Sockets "Wire wrap"

Technical data:

Insulator:	High temp. thermoplast, UL94V-0
Contact:	Brass / BeCu
Rated current:	1 Amp.
Rated voltage:	100 V _{RMS} / 150 V _{DC}
Dielectric withstanding:	min. 1000 V _{RMS}
Operating temperature:	-55°C to +125°C
Max. processing temp.:	260°C for 10 seconds



MS XX X XX U

Code: see measure list

X: please fill in pin-no.

XX: TG = sleeve: Sn / clip: Au
 GG = sleeve: Au / clip: Au
 GG 2 = sleeve: Au / clip: 0,25µm Au

U: RoHS-compliant