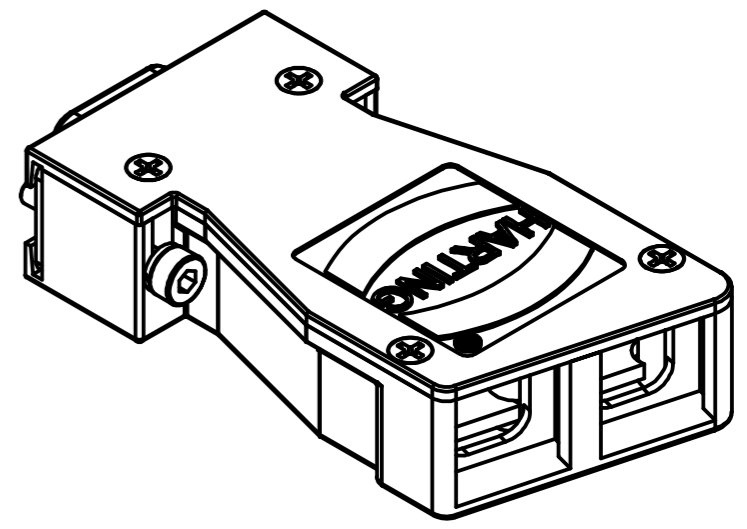
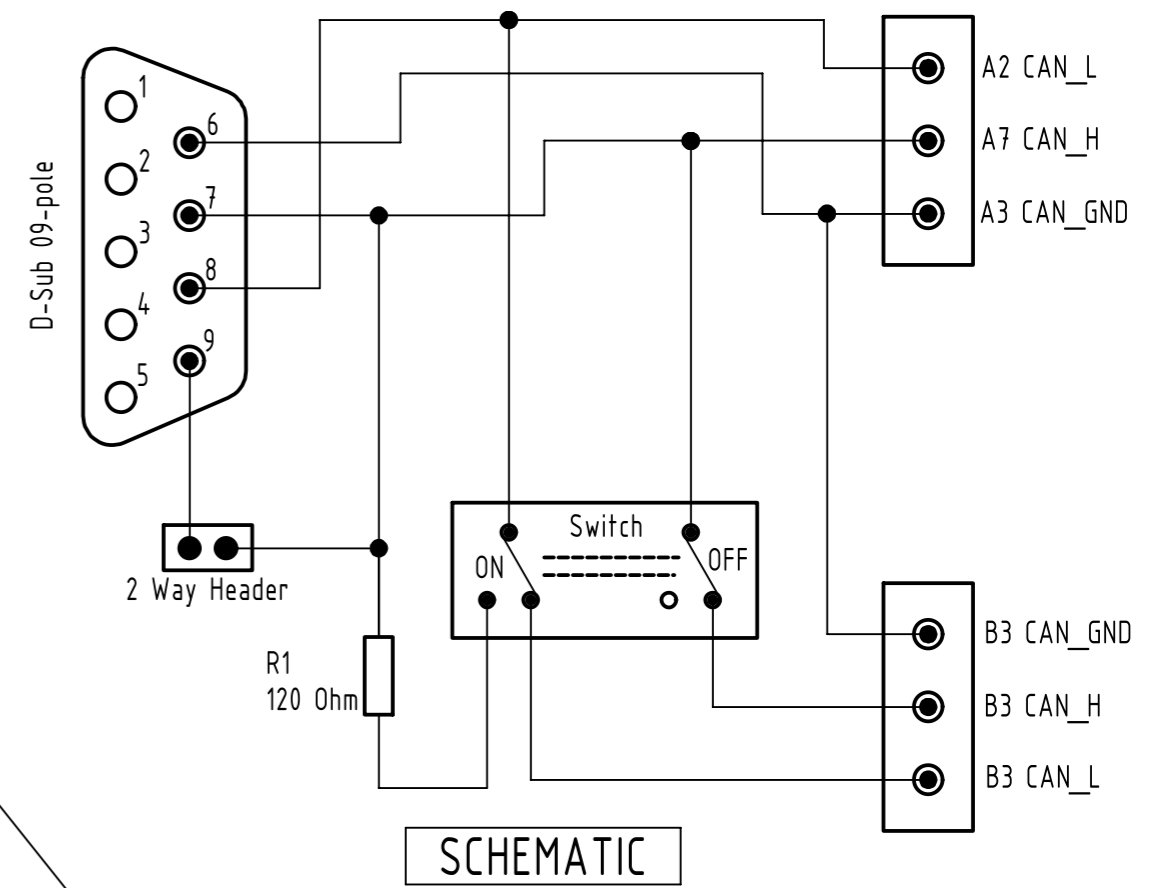
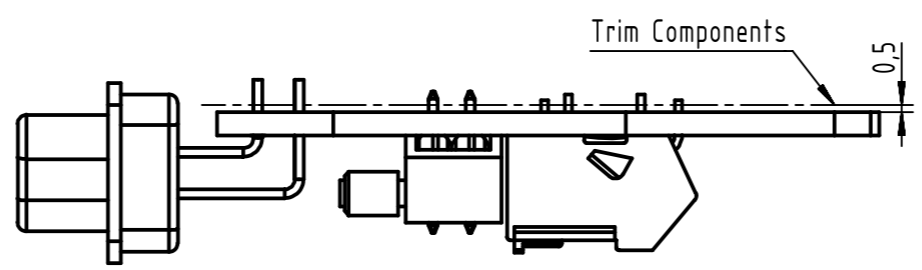
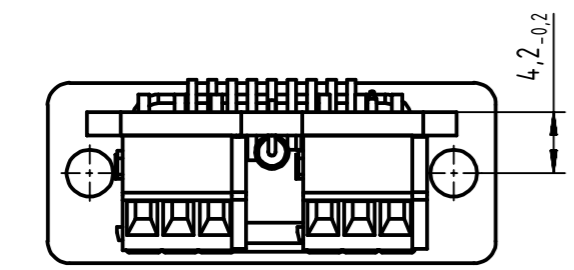
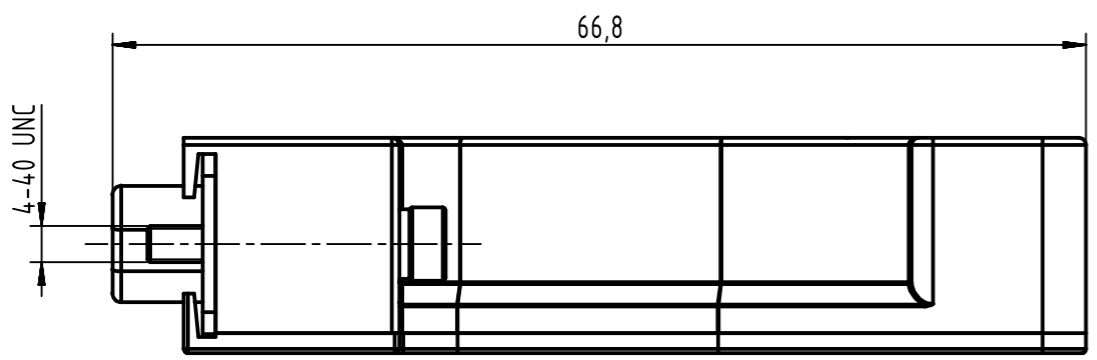
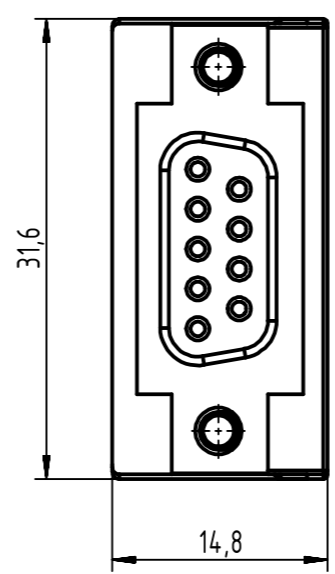
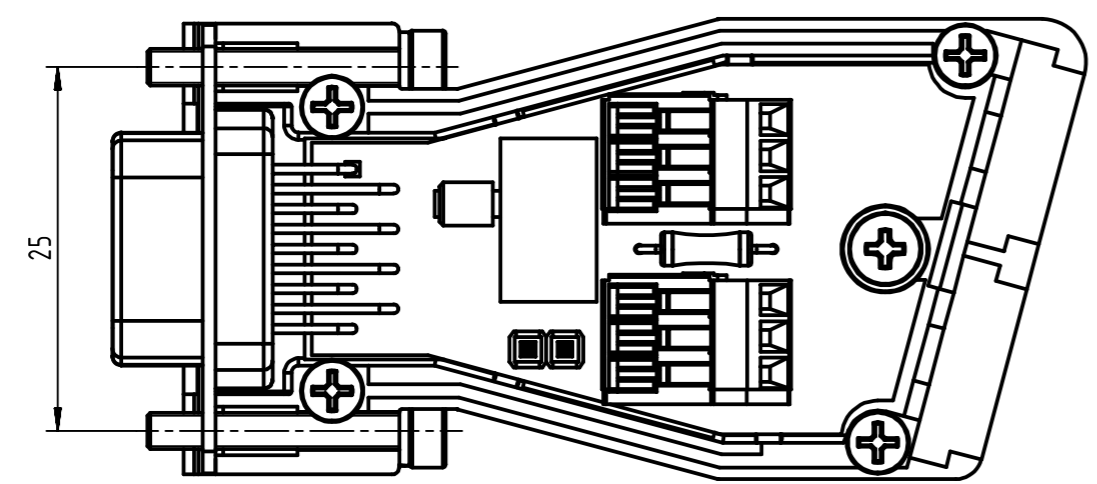


Cover not shown for clarity



6103 000 0042	Blanking piece for metal hood (1 off)
6103 000 0067	Crimp Flange 6,0-7,0 mm (2 off)
6103 000 0055	Crimp Ferrule 10-11mm (2 off)
Part number	Accessories kit

	All rights reserved		Created by ZHUANGJ		Inspected by LUOK		Standardisation KOHLER		Date 2017-03-28		State Final Release	
	Department EC PD - CN		Title InduCom 9 female CAN 4-40 UNC		Doc-Key / ECM-Nr. 100719802/UGD/000/A 500000117309		Type TB		Number 66630096069		Rev. A Page 1/1	
		All Dimensions in mm Original Size DIN A3		Scale 2:1		Free size tol.		Ref.		Sub.		
HARTING Electronics GmbH		D-32339 Espelkamp										