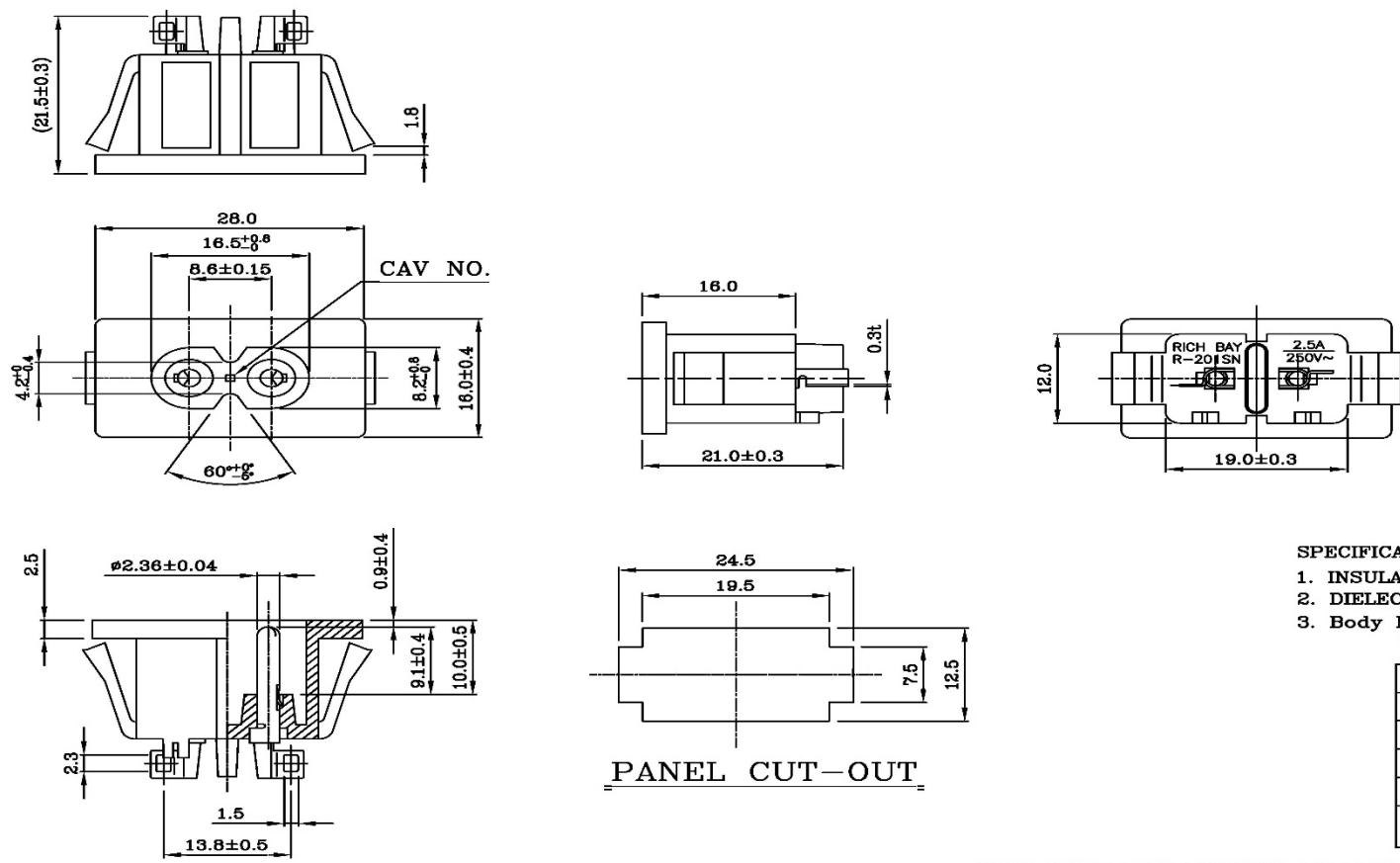


# Data Sheet

powered by RICH BAY



**SPECIFICATION:**

1. INSULATION RESISTANCE: OVER 100MΩ 500V DC.
2. DIELECTRIC STRENGTH: 2000V AC ONE MINUTE.
3. Body Materil: Black Glass-Filled Thermoplastic . UL 94V-2~0

Rating: AC 2.5A 250V	
Mark	Safety Regulation
cULus	cULus
CCC	CCC
VDE	VDE
ENEC	ENEC

IMPORTANT THIS DRAWING FOR REFERENCE ONLY 注意：此圖只供參考用

	UNIT	UNIT QTY	SCALE	TOLERANCE	PRODUCT NO.	R-201SN(B01)	REV
	mm	1	1:1				
DRAWN BY	李 2010.8.20 小英	APPROVED BY	羅 2010.8.20 士凱	ID NO	10082002Q	INTERIM NO.	C
				DESCRIPTION		NEW NO.	