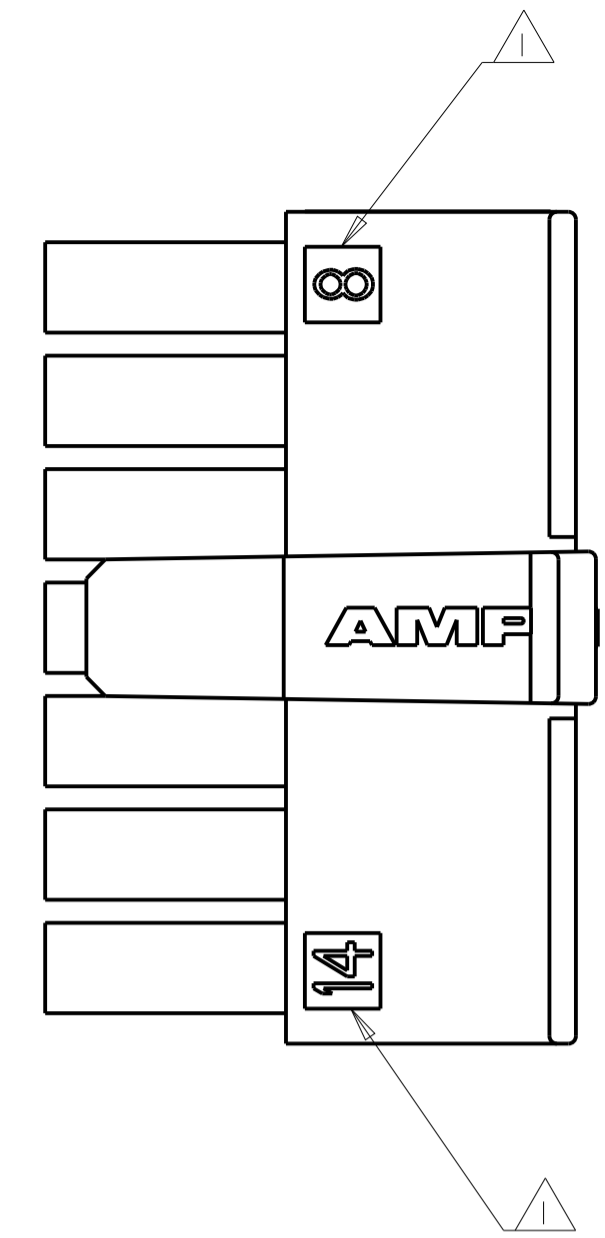
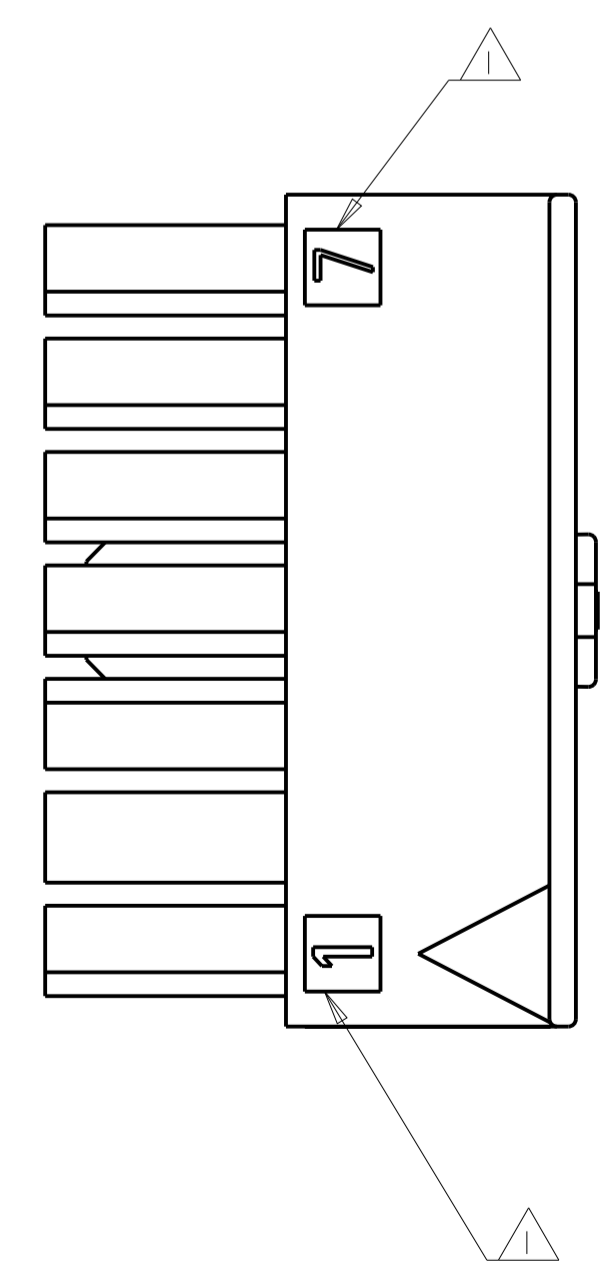
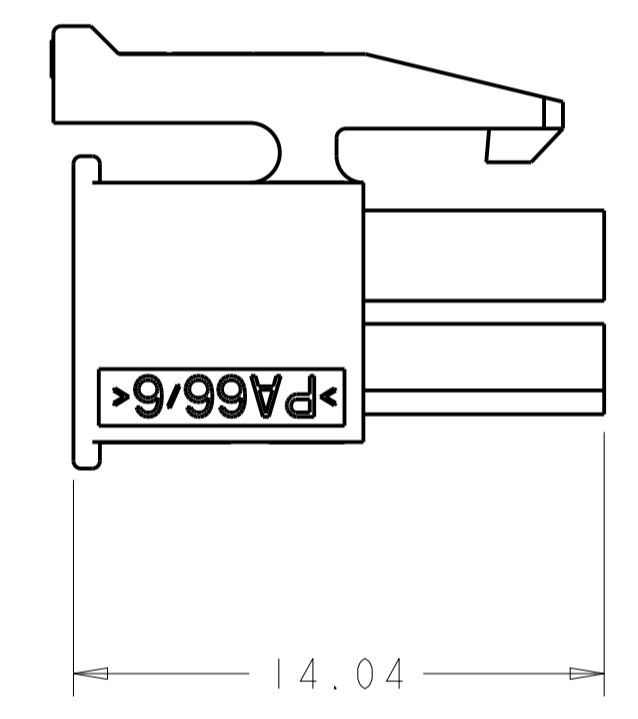
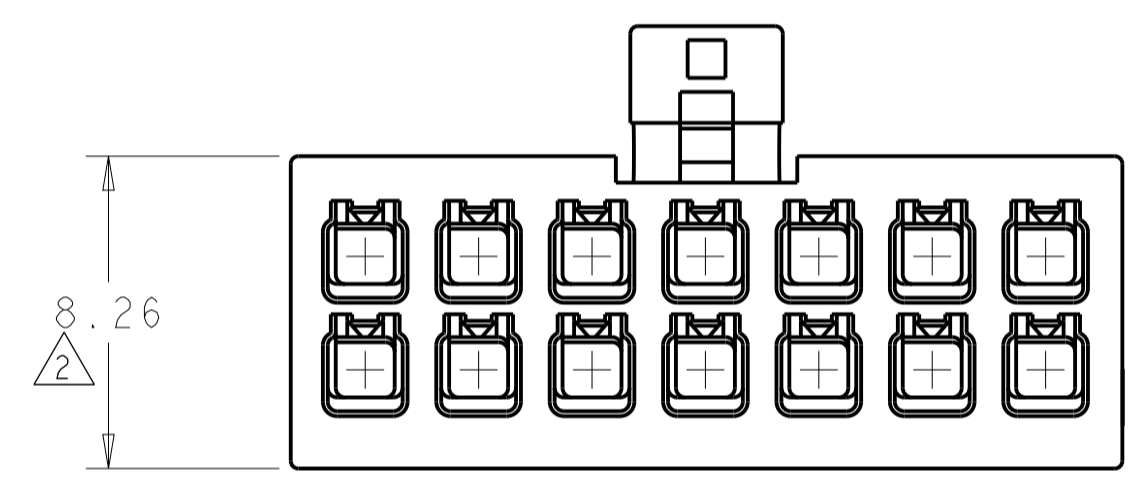
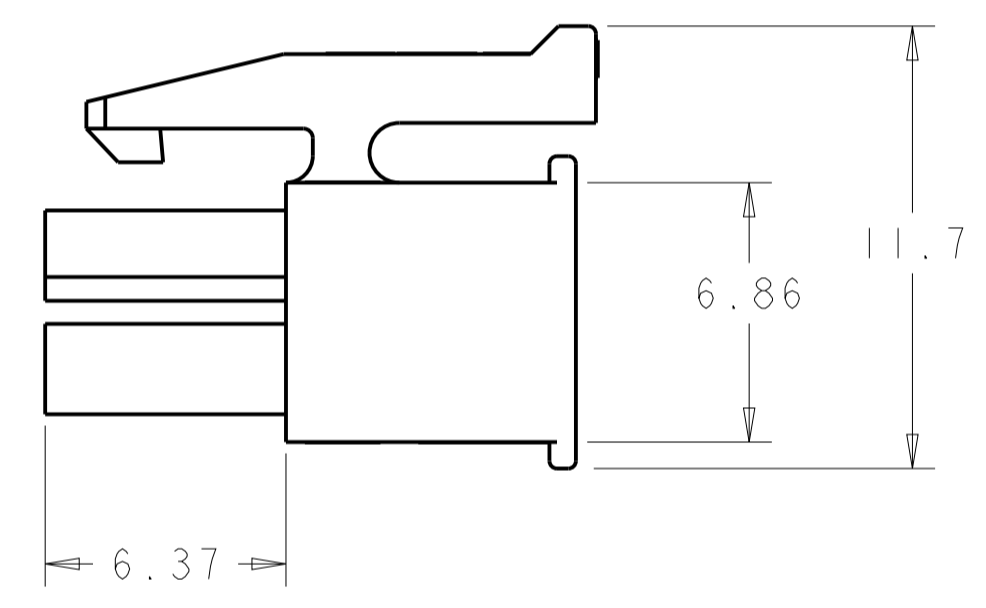
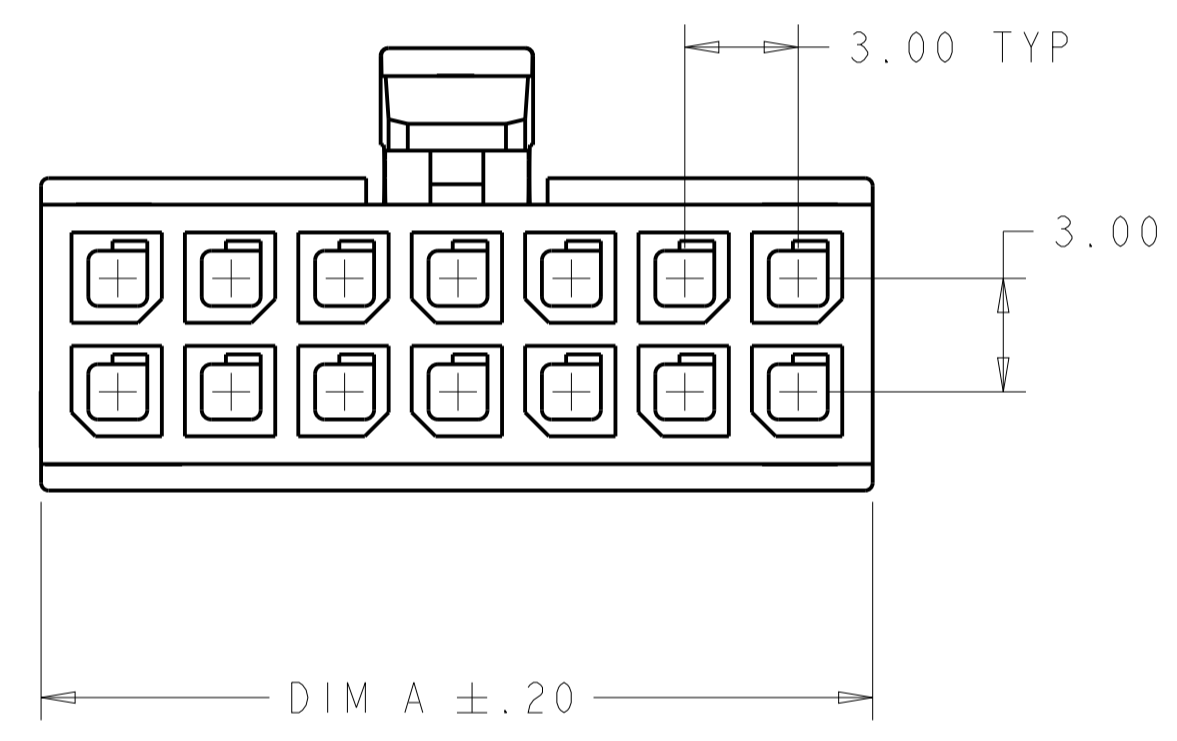


LOC	DIST	REVISIONS			
CM	53	REV	DATE	BY	APPV
		E3	11SEP2012	KH	TM
		E4	21OCT2013	AV	RP
		E5	27NOV2014	AV	ZD



- △ CIRCUIT IDENTIFIER, LOCATED APPROXIMATELY AS SHOWN.
- △ DIMENSION ONLY 7.56 ON 2 POSITION.
- △ MATERIAL NYLON66/6 V0 UL94.
- △ MATERIAL PA6 V0 UL94.
- △ MATERIAL PA66 V0 GW UL94.
- △ PRELIMINARY PART NOT RELEASED FOR PRODUCTION.



REV	DIM A	NO. OF POS.	PART NUMBER
△	13.00	8	3-794617-8
△	13.00	8	2-794617-8
△	37.00	24	2-794617-4
	34.00	22	2-794617-2
	31.00	20	2-794617-0
	28.00	18	1-794617-8
	25.00	16	1-794617-6
	22.00	14	1-794617-4
	19.00	12	1-794617-2
	16.00	10	1-794617-0
	13.00	8	794617-8
	10.00	6	794617-6
7.00	4	794617-4	
△	4.00	2	794617-2

THIS DRAWING IS A CONTROLLED DOCUMENT. DWN: K. WHITAKER 14OCT1999
 CHK: K. COBLE 14OCT1999
 APVD: K. COBLE 14OCT1999

STE TE Connectivity

RECEPTACLE HOUSING, 2 TO 24 POSITION, DUAL ROW, MICRO MATE-N-LOK™

ITEM: 0 PLC ±. 1 PLC ±. 2 PLC ±0.26 3 PLC ±. 4 PLC ±. ANGLES ±.030

MATERIAL: 3 4 5 FINISH: - WEIGHT: -

Customer Drawing SCALE: 5:1 SHEET: 1 OF 1 REV: E5