

# Foot Switch

## Features

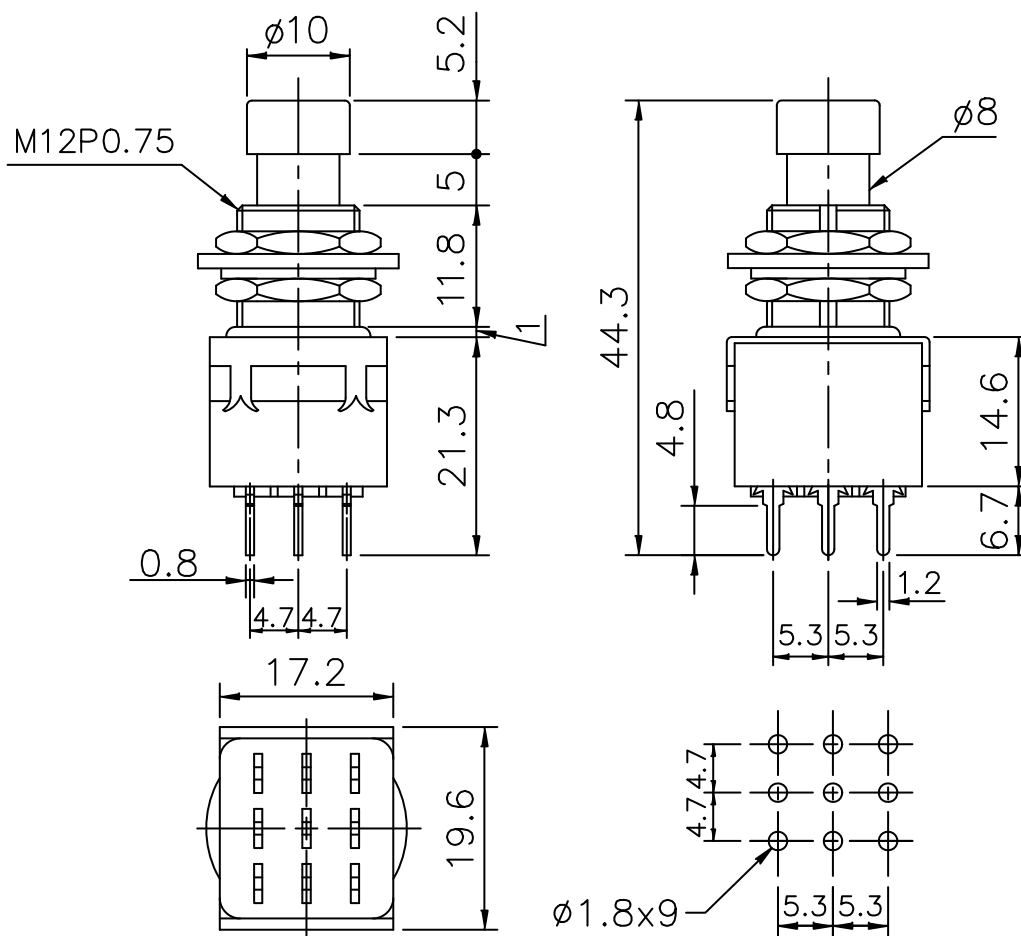
- Miniature size with robust design
- Reliable contact design for demanding applications
- RoHS & REACh compliant

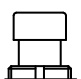
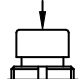


## Specification

Rating	4 A 125 VAC / 2 A 250 VAC; 2 A, 4 A 12 / 24 VDC
Actuator Options	Metal Button
Electrical Life	50000 Cycles at Full Load
Operating Temperature	-20 ... 65 °C
Contact Resistance	50 mOhm max.
Insulation Resistance	500 VDC 100 MOhm min.
Dielectric Strength	1500 VAC for 1 min.
Contact Configuration	3CO
Mounting Type	PCB Mount
Switching Function	ON-ON
Termination Type	PC Through Hole

## Drawing



Type	Circuitry Trait	
3P-1		
	ON	ON
	2-3,5-6 8-9	2-1,5-4 8-7

PC MOUNTING

Art. Nr.  
**RND 210-00742**