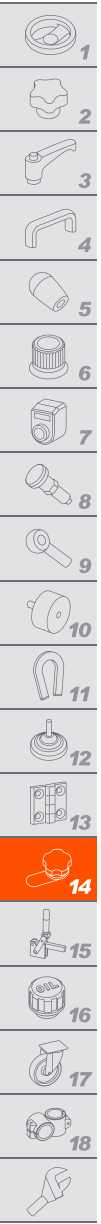


# CSL.FM | Lever latches with key

Lock, technopolymer and zinc alloy



## 1 STATOR

Glass-fibre reinforced polyamide based (PA) technopolymer, black colour.

## 2 ROTOR

Brass-plated zinc alloy.

## 3 FRONT PLATE

Stainless steel.

## 4 PACKING RING

Silicone directly applied onto the back side of the stator head.

## 5 WASHER WITH ELASTIC FIXING WINGS

Zinc-plated steel.

## 6 CLOSING LEVER

Zinc-plated steel, thickness 2.5 mm.

## 7 SCREW

M5x5 zinc-plated steel.

## 8 TWO KEYS

Nickel-plated brass, removable in one position.

## 9 ROTATION

90° to the right.

## 10 IP PROTECTION

IP 65 protection class, according to EN 60529 (see page A-19).

## 11 STANDARD EXECUTIONS

- **CSL.**: lock with 400 different combinations. Each lock has a couple of keys with different combination.
- **CSLU.**: lock with one combination. All locks have the same combination and can be opened with the same key.

## 13 DISASSEMBLY TOOL (TO BE ORDERED SEPARATELY)

Code 421280 ATTREZZO CSL.FM in AISI 304 stainless steel.

## 14 FEATURES

Quick assembly with steel plate thickness ranging from 1 to 2 mm latches.

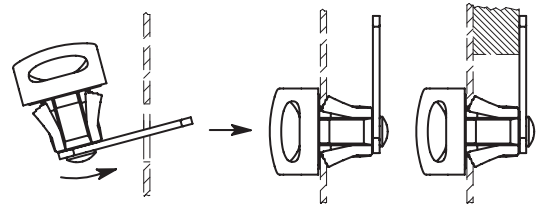
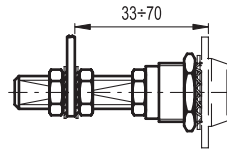
## SPECIAL EXECUTIONS AND ACCESSORIES

- Closing levers in other dimensions.
- Brass threaded extension for prolonged positioning of the lever, only for stator lengths  $l_1 = 20, 25$  and  $30$  mm (code 421137 C.PQ M5/58).

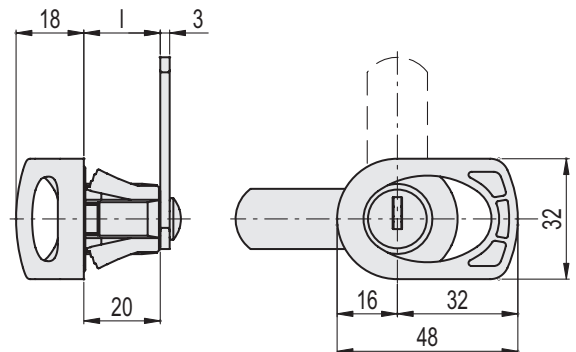
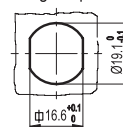
## ASSEMBLY INSTRUCTIONS

The latch is inserted in the mounting hole of the door on the lever side (see picture) until the wings of the elastic washer snap in, ensuring complete fastening.

The latches are supplied with assembled lever for faster mounting. Where needed, the latch can be disassembled from the inside of the door by means of a disassembling tool (to be ordered separately).



Drilling template



## CSL.

Code	Description	l	⚖
421281	CSL-FM-45-16	16	62
421282	CSL-FM-45-18	18	63
421283	CSL-FM-45-20	20	64
421284	CSL-FM-45-24	24	66
421285	CSL-FM-45-28	28	68
421286	CSL-FM-45-30	30	69
421287	CSL-FM-45-32	32	70

## CSLU.

Code	Description	l	⚖
421291	CSLU-FM-45-16	16	62
421292	CSLU-FM-45-18	18	63
421293	CSLU-FM-45-20	20	64
421294	CSLU-FM-45-24	24	66
421295	CSLU-FM-45-28	28	68
421296	CSLU-FM-45-30	30	69
421297	CSLU-FM-45-32	32	70