

# 14.2mm Single Digit Displays

OSL10561-IX (Common Anode type)

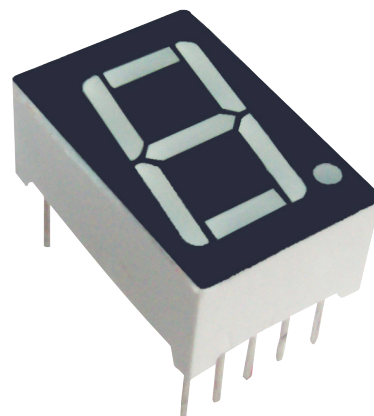
OSL10561-LX (Common Cathode type)

## Features:

- 0.56 Inch single digit display
- Long lifetime operation
- IC compatible
- Low power dissipation

## Applications

- Counting device
- Clock



## Absolute maximum rating

Item	Symbol	Value		Unit
		RA/R/YG/Y	B/G	
DC forward current	$I_F$	20	20	mA
Pulse forward current*	$I_{FP}$	100	100	mA
Reverse voltage	$V_R$	5	5	V
Power dissipation	$P_t$	44	66	mW
Operating temperature	$T_{opr}$	-30 to +70		°C
Storage temperature	$T_{stg}$	-40 to +85		°C
Lead soldering temperature (1.6mm from seating plane)	$T_{sol}$	260°C		-

\*Pulse width max. 10ms. Duty ratio max. 1/10

## Electrical – Optical characteristics

Order code Common anode	Order code Common cathode	MPN	Colour		$V_F$ (V)			$I_R$ ( $\mu$ A)	$I_V$ (mcd)			$\lambda_D$ (nm)		
					Min.	Typ.	Max.	Max.	Min.	Typ.	Max.	Min.	Typ.	Max.
					$I_F=20mA$			$I_R=5V$	$I_F=20mA$					
57-0143	57-0141	OSL10561-IW(LW)	White	W	-	3.3	4.0	20	-	65	-	X=0.30 Y=0.34		
57-0138	57-0137	OSL10561-IB(LB)	Blue	B	-	3.3	4.0	20	-	50	-	-	470	-
	57-0131	OSL10561-IG(LG)	Pure Green	G	-	3.3	4.0	20	-	200	-	-	525	-
57-0136	57-0133	OSL10561-IY(LY)	Yellow	Y	-	2.1	2.5	20	-	60	-	-	590	-
57-0126	57-0121	OSL10561-IR(LR)	Red	R	-	2.1	2.5	20	-	20	-	-	630	-
57-0128	57-0123	OSL10561-IRA(LRA)	High Red	RA	-	2.1	2.5	20	-	100	-	-	625	-

\* Tolerance of dominant wavelength is 1nm  
† Tolerance of luminous intensity is 15%

# 14.2mm Single Digit Displays

OSL10561-IX (Common Anode type)

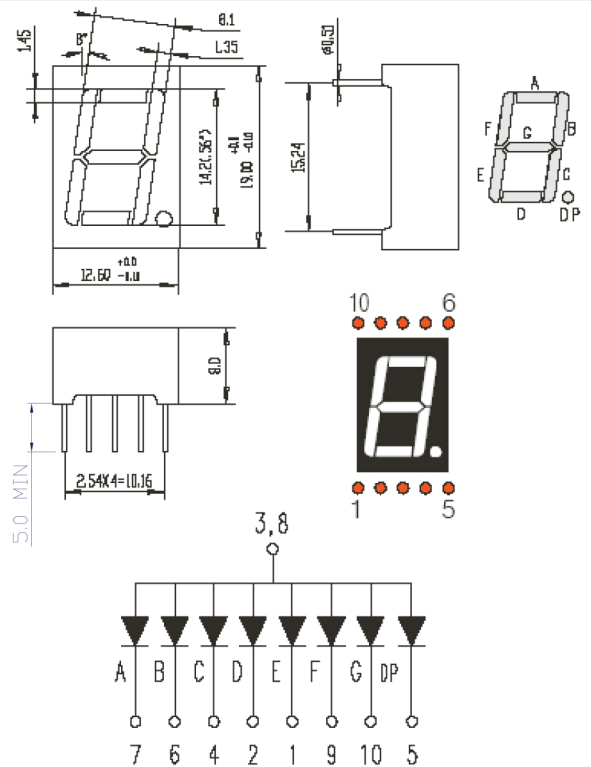
OSL10561-LX (Common Cathode type)

## Package dimensions and pin function:

### OSL10561-IX (Common Anode type)

Note:

- 1: Unit: mm (tolerance  $\pm 0.25\text{mm}$  unless otherwise noted)
- 2: The slope angle of any PIN may be  $\pm 5.0$  max.



### OSL10561-LX (Common Cathode type)

Note:

- 1: Unit: mm (tolerance  $\pm 0.25\text{mm}$  unless otherwise noted)
- 2: The slope angle of any PIN may be  $\pm 5.0$  max.

