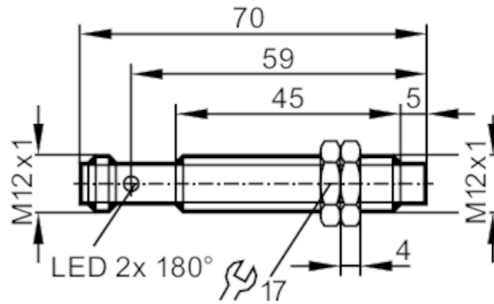


DTI411



RFID read/write head HF

DTRHF FNRWIOUS03



Application			
Application	detection of objects on transport equipment		
Radio approval for	Europe; USA; Canada; Japan; Australia; China; Taiwan; India; Singapore		
Electrical data			
Operating voltage [V]	19.2...28.8 DC		
Current consumption [mA]	< 50		
Protection class	III		
Operating frequency [MHz]	13,56		
RFID standard	ISO 15693		
Detection zone			
Distance write/read head front [mm]	90		
Distance write/read head side [mm]	25		
Distance to the ID tag [mm]	referred to 20 mm coin tag; I-CODE SLI	:	≤ 18
Interfaces			
Communication interface	IO-Link		
Transmission type	COM2 (38.4 kBaud)		
IO-Link revision	1.1		
SDCI standard	IEC 61131-9		
IO-Link device ID	967 d / 00 03 C7 h		
Profiles	Smart Sensor: Device Identification		
SIO mode	no		
Required master port type	A		
Operating conditions			
Ambient temperature [°C]	-20...60		
Storage temperature [°C]	-25...80		
Protection	IP 67; IP 69K		



RFID read/write head HF

DTRHF FNRWIOUS03

Tests / approvals		
EMC	DIN EN 301489-3	
Shock resistance	EN 60068-2-27	40 g 6 ms / repetitive
	EN 60068-2-27	50 g 11 ms / not repetitive
Vibration resistance	EN 60068-2-6	20 g 10...2000 Hz
Radio approval	EN 300 330 V2.1.1	
MTTF [years]	613.74	
UL approval	Ta	-20...60 °C
	Enclosure type	Type 1
	voltage supply	Limited Voltage/Current
	File number UL	E205959

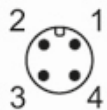
Mechanical data		
Weight [g]	111.5	
Housing	cylindrical	
Mounting	non-flush mountable	
Dimensions [mm]	M12 x 1 / L = 70	
Thread designation	M12 x 1	
Materials	housing: stainless steel; Protective cover: PPS	

Displays / operating elements		
Display	operation	1 x LED, green
	tag communication	1 x LED, yellow

Remarks		
Remarks	only for static applications	
Pack quantity	1 pcs.	

Electrical connection

Connector: 1 x M12



DTI411



RFID read/write head HF

DTRHF FNRWIOUS03

Connection

