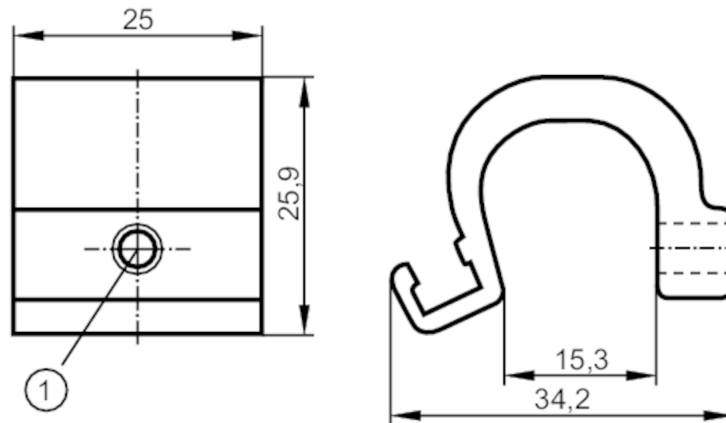


E11799



Mounting adapter for tie-rod/integrated profile cylinders

ADAPT TIE ROD/PROFILE/CYL



1 Mounting screw SW 2.5

Application

Design for types MKT

Mechanical data

Weight	[g]	21.4
Dimensions	[mm]	25.9 x 25 x 34.2
Materials		aluminium; screw: stainless steel
Clamping range	[mm]	9...15

Remarks

Pack quantity 1 pcs.