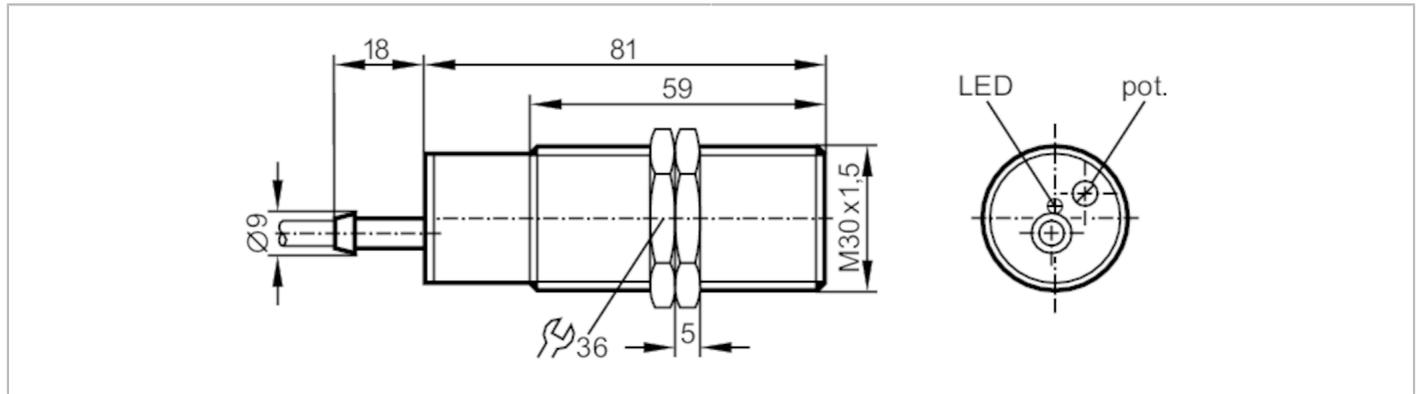


KI5001



Capacitive sensor

KI-3015-APKG/NI



Product characteristics

| | | |
|-------------------|------|--------------------|
| Electrical design | | PNP |
| Output function | | normally closed |
| Sensing range | [mm] | 15 |
| Housing | | threaded type |
| Dimensions | [mm] | M30 x 1.5 / L = 81 |

Electrical data

| | | |
|-----------------------------|------|------------|
| Operating voltage | [V] | 10...36 DC |
| Current consumption | [mA] | 13; (24 V) |
| Protection class | | II |
| Reverse polarity protection | | yes |

Outputs

| | | |
|---|------|-----------------|
| Electrical design | | PNP |
| Output function | | normally closed |
| Max. voltage drop switching output DC | [V] | 2.5 |
| Permanent current rating of switching output DC | [mA] | 250 |
| Switching frequency DC | [Hz] | 40 |
| Short-circuit proof | | yes |
| Overload protection | | yes |

Detection zone

| | | |
|-------------------------------|------|---------------|
| Sensing range | [mm] | 15 |
| Sensing range adjustable | | yes |
| Factory setting sensing range | [mm] | 15 |
| Real sensing range S_r | [mm] | $15 \pm 10\%$ |
| Operating distance | [mm] | 0...12.1 |

Accuracy / deviations

| | | |
|--------------------|---------------|--|
| Correction factor | | glass: 0.4 / water: 1 / ceramics: 0.2 / PVC: 0.2 |
| Hysteresis | [% of S_r] | 1...15 |
| Switch point drift | [% of S_r] | -15...15 |

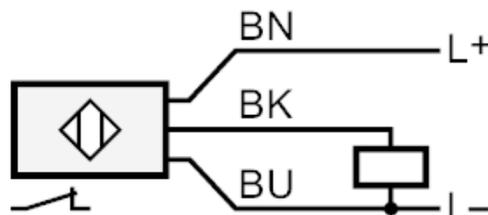
KI5001



Capacitive sensor

KI-3015-APKG/NI

| Operating conditions | | |
|--|------------------|---|
| Ambient temperature | [°C] | -25...70 |
| Protection | | IP 65 |
| Increased immunity | | yes; (increased immunity to conducted radio frequency interference) |
| Tests / approvals | | |
| EMC | | EN 60947-5-2 |
| MTTF | [years] | 778 |
| Mechanical data | | |
| Weight | [g] | 195 |
| Housing | | threaded type |
| Mounting | | non-flush mountable |
| Dimensions | [mm] | M30 x 1.5 / L = 81 |
| Thread designation | | M30 x 1.5 |
| Materials | | PBT |
| Displays / operating elements | | |
| Display | switching status | 1 x LED, yellow |
| Accessories | | |
| Accessories (supplied) | | lock nuts: 2 screwdriver: 1 |
| Remarks | | |
| Pack quantity | | 1 pcs. |
| Electrical connection | | |
| Cable: 2 m, PVC; 3 x 0.5 mm ² | | |
| Connection | | |



Core colours :

| | |
|------|-------|
| BN = | brown |
| BU = | blue |
| BK = | black |