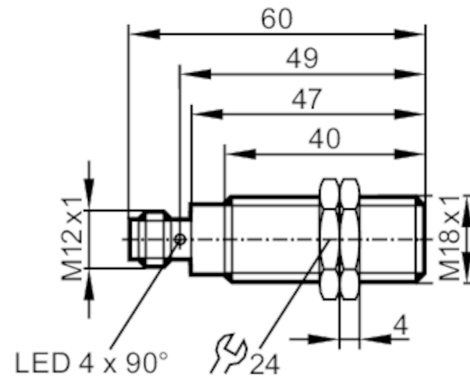


MGS205



Full-metal magnetic sensor

MGK3070-ANKG/AMG/US




Product characteristics	
Electrical design	NPN
Output function	normally open
Sensing range [mm]	70; (referred to magnet M 4.0)
Housing	threaded type
Dimensions [mm]	M18 x 1 / L = 60
Application	
Special feature	Gold-plated contacts; Full-metal housing
Pressure rating [bar]	100
Electrical data	
Operating voltage [V]	10...30 DC
Current consumption [mA]	< 10
Protection class	III
Reverse polarity protection	yes
Outputs	
Electrical design	NPN
Output function	normally open
Max. voltage drop switching output DC [V]	2.5
Permanent current rating of switching output DC [mA]	200
Switching frequency DC [Hz]	5000
Short-circuit protection	yes
Overload protection	yes
Detection zone	
Sensing range [mm]	70; (referred to magnet M 4.0)
Response sensitivity [mT]	0.9
Accuracy / deviations	
Hysteresis [% of Sr]	1...10

MGS205



Full-metal magnetic sensor

MGK3070-ANKG/AMG/US

Operating conditions		
Ambient temperature	[°C]	-25...75
Protection		IP 65; IP 67
Tests / approvals		
EMC	EN 61000-4-2 ESD	4 kV CD / 8 kV AD
	EN 61000-4-3 HF radiated	10 V/m
	EN 61000-4-4 Burst	2 kV
	EN 61000-4-5 Surge	0,5 kV line to line, Ri: 2 Ohm
	EN 61000-4-6 HF conducted	10 V
	EN 55011 emission	class B
	DIN ISO 11452-2	100 V/m
Mechanical data		
Weight	[g]	48.9
Housing		threaded type
Dimensions	[mm]	M18 x 1 / L = 60
Thread designation		M18 x 1
Materials		housing: stainless steel (1.4404 / 316L); sensing face: stainless steel (1.4404 / 316L); plug: PA; lock nuts: brass
Full-metal housing		yes
Displays / operating elements		
Display	switching status	1 x LED, yellow
Accessories		
Accessories (supplied)		lock nuts: 2
Remarks		
Pack quantity		1 pcs.
Electrical connection - plug		
Connector: 1 x M12; Contacts: gold-plated		
		

MGS205



Full-metal magnetic sensor

MGK3070-ANKG/AM/G/US

Connection

