



Part no.: 63000307
S300-P13C1-M12-CB
Safety position switch



Figure can vary



Contents

- Technical data
- Dimensioned drawings
- Electrical connection
- Circuit diagrams
- Notes

Technical data

Basic data	
Series	S300
Functions	
Functions	Integration in control circuits up to category 4 in accordance with EN ISO 13849 Locking device without guard interlocking according to ISO 14119
Characteristic parameters	
Mission time T_M	20 years , EN ISO 13849-1
B10 _d	40,000,000 number of cycles
Electrical data	
Usage category at DC 13	Ue 24 V, Ie 2 A , EN 60947-5-1
Usage category at AC 15	Ue 24 V, Ie 2 A , EN 60947-5-1
Contact allocation	2NC + 1NO
Contact opening	Force-fit
Short circuit protected	500 V, 2 A, type gG , IEC 60269-1
Contact protection	Protective insulation O
Performance data	
Rated insulation voltage	30 V AC, 36 V DC
Conventional thermal current, max.	2 A
Connection	
Number of connections	1 Piece(s)
Connection 1	
Type of connection	Connector
Function	Contact connection
Thread size	M12
Material	Plastic
No. of pins	8 -pin
Mechanical data	
Design	Cubic
Dimension (W x H x L)	40 mm x 39 mm x 97 mm
Housing material	Plastic , Glass fiber reinforced (PPS), self-extinguishing
Electrical contact material	Silver alloy
Net weight	155 g
Housing color	Black
Type of fastening	Through-hole mounting
Switch type	Interlock device without guard interlocking , ISO 14119
Switching principle	Slow-action contact
Switching direction	Both sides One side
Approach actuation directions	360° 4 x side (90°)
Approach speed	Depending on actuator used
Mechanical life time	20,000,000 actuation cycles , IEC 60947-5-1 switching cycles
Actuation frequency, max.	3,600 per hour , IEC 60947-5-1

Part no.: 63000307 – S300-P13C1-M12-CB – Safety position switch

Actuator mount	Short
----------------	-------

Environmental data

Ambient temperature, operation	-25 ... 80 °C
Degree of contamination	3, EN 60947-1

Certifications

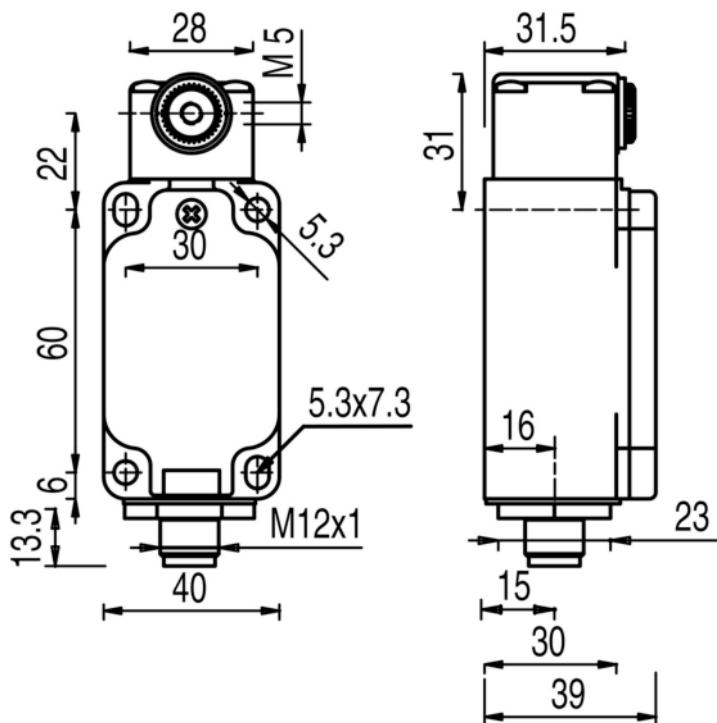
Degree of protection	IP 67
Certifications	c UL US IMQ

Classification

Customs tariff number	85369095
eCl@ss 8.0	27272601
eCl@ss 9.0	27272601
ETIM 5.0	EC000030
ETIM 6.0	EC000030

Dimensioned drawings

All dimensions in millimeters



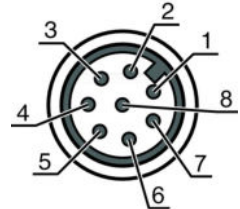
Electrical connection

Connection 1	
Type of connection	Connector

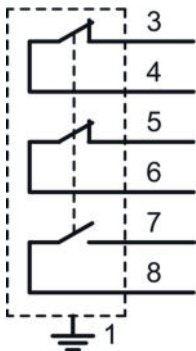
Part no.: 63000307 – S300-P13C1-M12-CB – Safety position switch

Connection 1	
Function	Contact connection
Thread size	M12
Type	Male
Material	Plastic
No. of pins	8 - pin
Encoding	A-coded

Pin	Pin assignment
1	n.c.
2	n.c.
3	NC(1)
4	NC(1)
5	NC(2)
6	NC(2)
7	NO(1)
8	NO(1)



Circuit diagrams



Notes

Observe intended use!

- The product may only be put into operation by competent persons.
- Only use the product in accordance with its intended use.