

Dot laser, green, 532 nm, 2 mW

DD532-2-3(16x60)-AP
Order Number: 70108460

Main Parameters (*)	min	typ	max	Unit
Wavelength		532		nm
Optical Output Power		2		mW
Operating Voltage	2.7	3	3.3	V DC
Operating Current	125	250	375	mA
Operating Temperature	15		30	°C
Storage Temperature	-40		80	°C

Main Data

Warranty	1 years
----------	---------

Technical Parameters

Lifetime	> 5,000 h
RoHS	yes

Optical Parameters

Beam Shape	Dot
Laser Class	3R
Divergence	D - 0.5 mrad
Beam Diameter	5 mm
Operating Distance	150 m
Optics	glass lens AR coated
Beam Mode	TEM00
Laser technology	Solid State (YVO4+KTP)
Stability	+/- 20% @ 15-30°C
Axial Divergence	± 0.25 °
Focus	collimated
Warm up time	< 15 min

Electrical Parameters

Potential of Housing	isolated
----------------------	----------

Mechanical Parameters

Size	Ø16x60 mm
Material	aluminium
Cable length	100 mm
Output Aperture	5 mm
Housing Color	black
Weight	43 g

(*) Over the complete operating temperature range

Features



- Small package
- Axial parallel
- Image processing
- DOE optimized

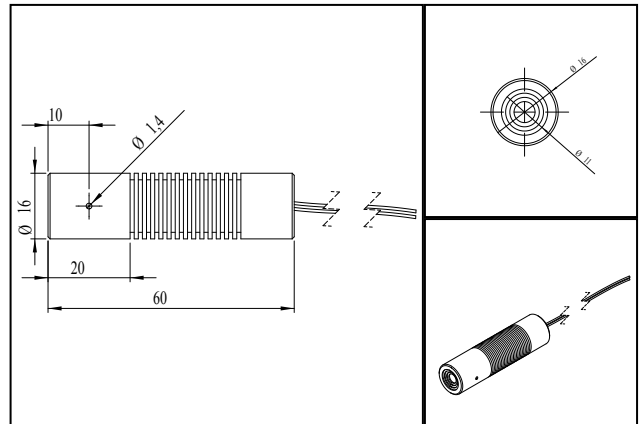
Picture



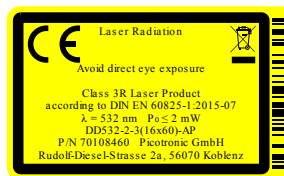
Cable color

Ground		blue	GND
positive		red	2.7 - 3.3, typ 3 V DC

Drawing



Safety Label



Valid Revision

3 | 14-NOV-2013