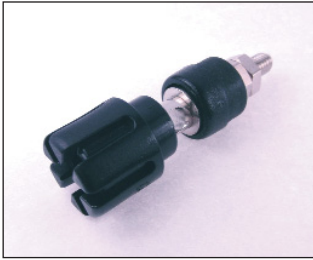


CLIFF

TERMINAL SERIES TP/6



CL159709
TP/6S BLACK ASSEMBLED



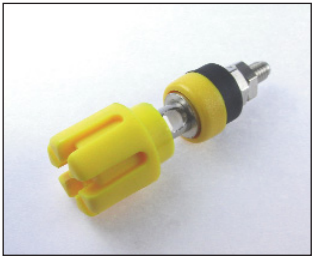
CL159710
TP/6S BLACK UNASSEMBLED



CL159719
TP/6S RED ASSEMBLED



CL159720
TP/6S RED UNASSEMBLED



CL159730
TP/6S BLUE ASSEMBLED



CL159729
TP/6S BLUE UNASSEMBLED



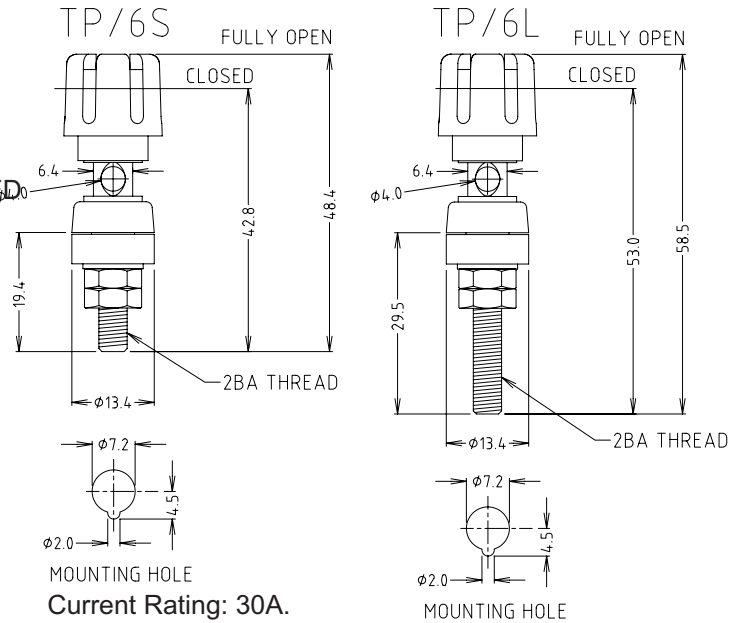
CL159740
TP/6S GREEN ASSEMBLED

CL159741
TP/6S GREEN UNASSEMBLED

CL159775
TP/6S YELLOW ASSEMBLED

CL159774
TP/6S YELLOW UNASSEMBLED

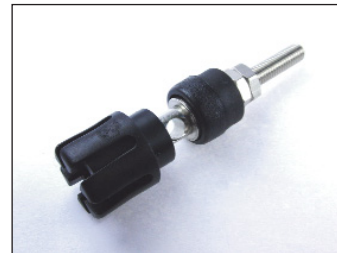
CL1595
TPP/1 TERMINAL MOUNTING PLATE



Current Rating: 30A.

Flammability: Min UL94HB

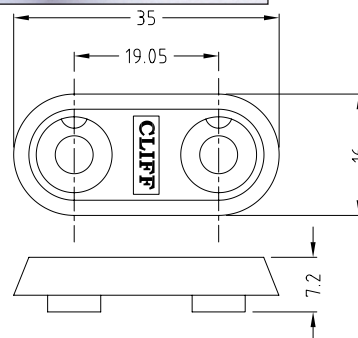
Unassembled parts come with top and bottom insulators, nuts and washers bulk packed.



CL159715
TP/6L BLACK ASSEMBLED



CL159725
TP/6L RED ASSEMBLED



All models can be supplied with either gold or nickel plated finish. Customised versions available dependant on MOQ's.

For further information, contact: sales@cliffuk.co.uk