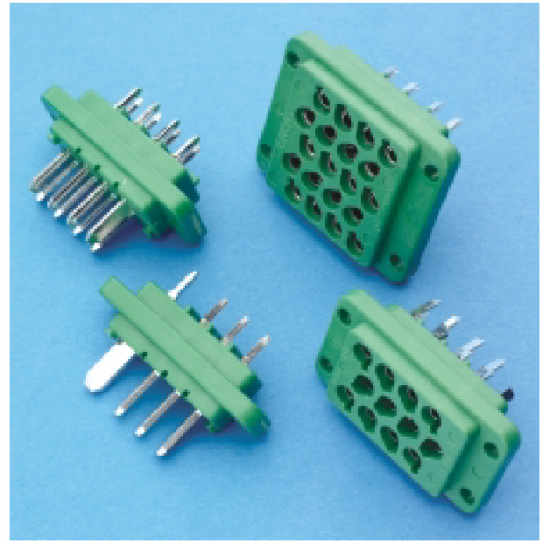


Features

Cinch Connectors 'J' connectors incorporate patented resilient finger contacts.

Twelve fingers engage with each flat plug pin to provide low contact resistance, high current carrying capacity and minimum insertion and withdrawal forces.

These special features help to provide a thoroughly reliable connector, enhanced by Mk.2 shells moulded in grey high impact thermoplastic for appearance and durability.



MK. 2 Shells

No. 4 thread cutting screws with Pozidriv heads are provided loose for assembly of plugs/sockets into Mk. 2 shells. For uniformity Pozidriv headed screws are now supplied for cable clamp adjustments.

Materials and finishes

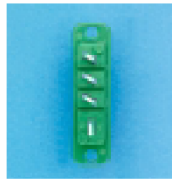
Mouldings	High impact thermoplastic - green
Plug blades	Brass - Tin Plated
Socket contacts	Copper alloy - Tin Plated
Shells	High impact thermoplastic colour - Grey

Technical Data

Number of ways	4, 8, 12 and 20
Working voltage	900 V d.c. or a.c. peak
Current rating	5A
Voltage proof	3 kV between contacts and 2.8 kV between contacts and frame d.c. or a.c. peak
Contact resistance	5 milliohms
Insulation resistance	5,000 megohms min.
Temperature range	-40°C to +100°C
Mating cycles	250

Connector sizes and contact arrangements

Connector	Plug	Socket	Shell
4	JA	JA	JA
4	77844	77845	83383
4	00	00	00
4	000	000	0PB
4	000	000	000



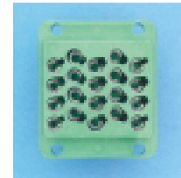
Connector	Plug	Socket	Shell
8	JA	JA	JA
8	77846	77847	83384
8	00	00	00
8	000	000	0PB
8	000	000	000



Connector	Plug	Socket	Shell
12	JA	JA	JA
12	77848	77849	83385
12	00	00	00
12	000	000	0PB
12	000	000	000



Connector	Plug	Socket	Shell
20	JA	JA	JA
20	77850	77851	83386
20	00	00	00
20	000	000	0PB
20	000	000	000



Customer Notes

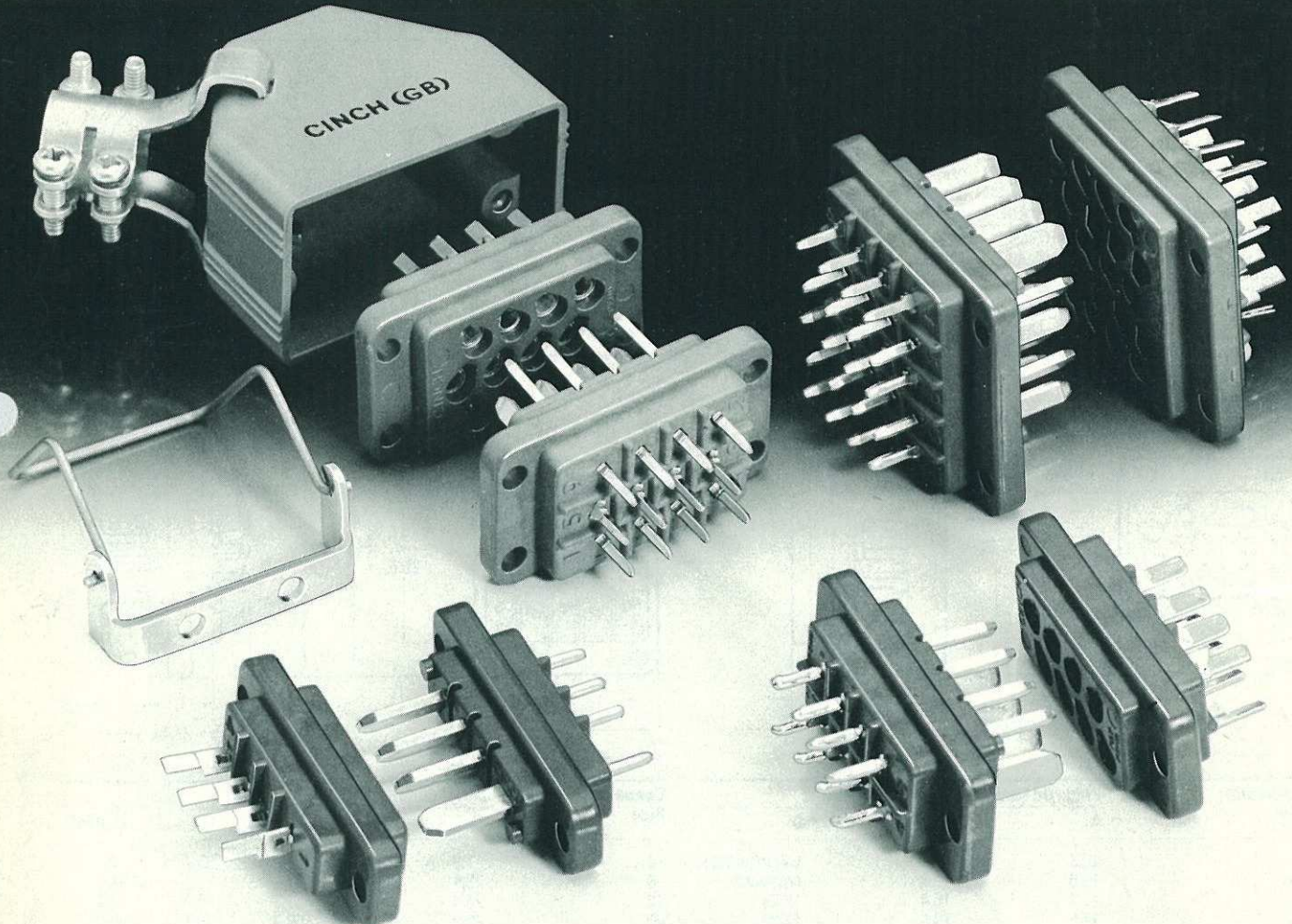
How to order: Plugs, sockets and shells must be ordered separately.

Contact identification: Contacts are numbered on the termination side of both plugs and sockets.

Please consult factory for further information.

'J' connectors

4, 8, 12 and 20 contact series



Cinch Connectors 'J' connectors incorporate patented resilient finger contacts. Twelve fingers engage with each flat plug pin to provide low contact resistance, high current carrying capacity and minimum insertion and withdrawal forces. These special features help to provide a thoroughly reliable connector, enhanced by Mk.2 Shells moulded in grey high impact thermoplastic for appearance and durability.

How to order

Plugs, sockets and shells must be ordered separately.

Contact identification

Contacts are numbered on the termination side of both plugs and sockets.

Mk. 2 Shells

No. 4 thread cutting screws with Pozidriv heads are provided loose for assembly of plugs/sockets into Mk. 2 Shells. For uniformity Pozidriv headed screws are now supplied for cable clamp adjustments.



Materials and finishes

Mouldings

High impact thermoplastic—Green

Plug blades

Brass—Silver plated

Socket contacts

Copper alloy—Silver plated

Shells

High impact thermoplastic colour—Grey

Technical data

Number of ways

4, 8, 12 and 20

Working voltage

900 V d.c. or a.c. peak

Current rating

5 A

Voltage proof

3 kV between contacts and 2,8 kV between contacts and frame d.c. or a.c. peak

Contact resistance

5 milliohms

Insulation resistance

5,000 megohms min.

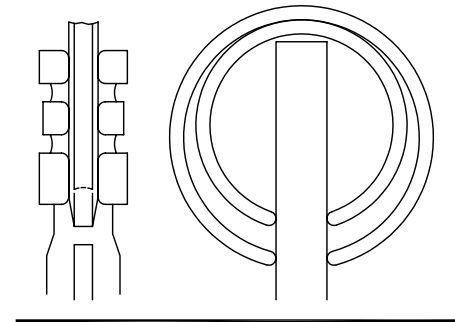
Temperature range

-40°C to + 100°C

'J' Connectors

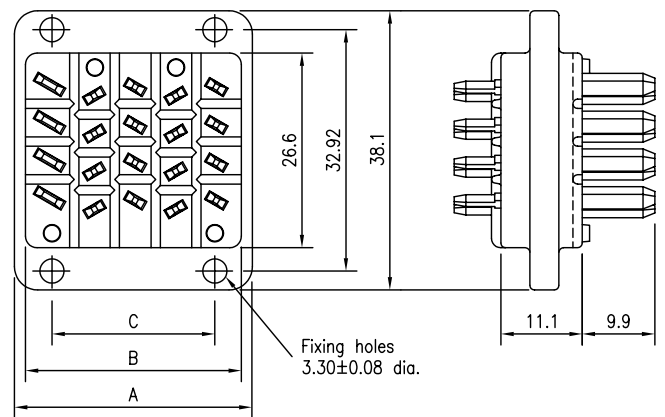
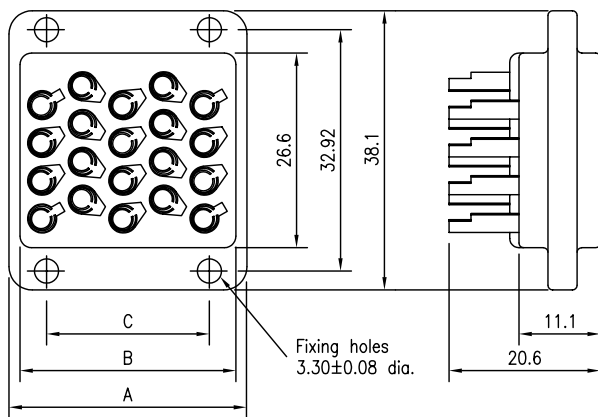
4, 8, 12 and 20 contact series

Highly reliable 12 point contacts



Dimensions

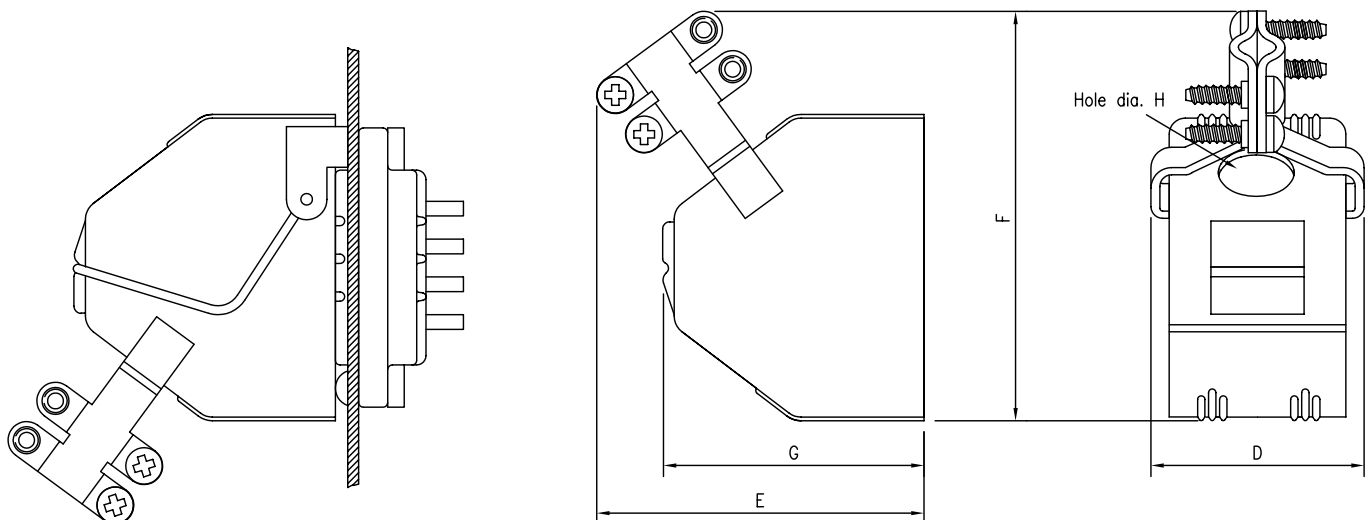
All dimensions are in millimeters



Connector Size	Plug and socket dimensions		
	A	B	C
4	10.3	7.3	two mounting
8	15.8	12.8	holes only
12	21.4	18.4	12.70
20	32.5	29.5	22.22

Connector Size	Shell dimensions				
	D	E	F	G	H(min)
4	17.9	45.7	56.4	35.7	8.5
8	23.4	46.8	57.2	35.7	10.3
12	29.4	46.8	57.2	35.7	11.8
20	40.0	48.0	58.3	35.7	13.9

Note: the shell dimensions tabled above are approximate and intended as a guide only

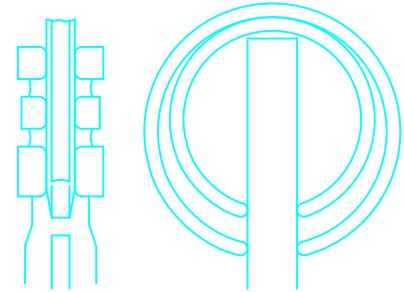


Assembly of plug, socket and shell to chassis

'J' Connectors

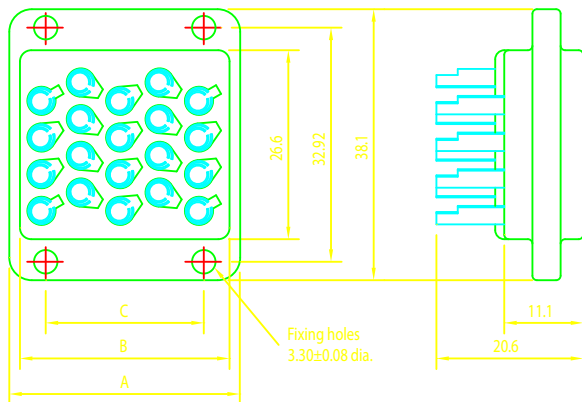
4, 8, 12 and 20 contact series

Highly reliable 12 point contacts

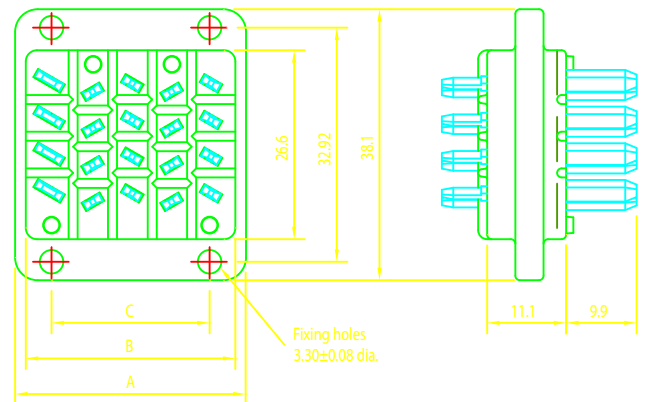


Dimensions

All dimensions are in millimeters

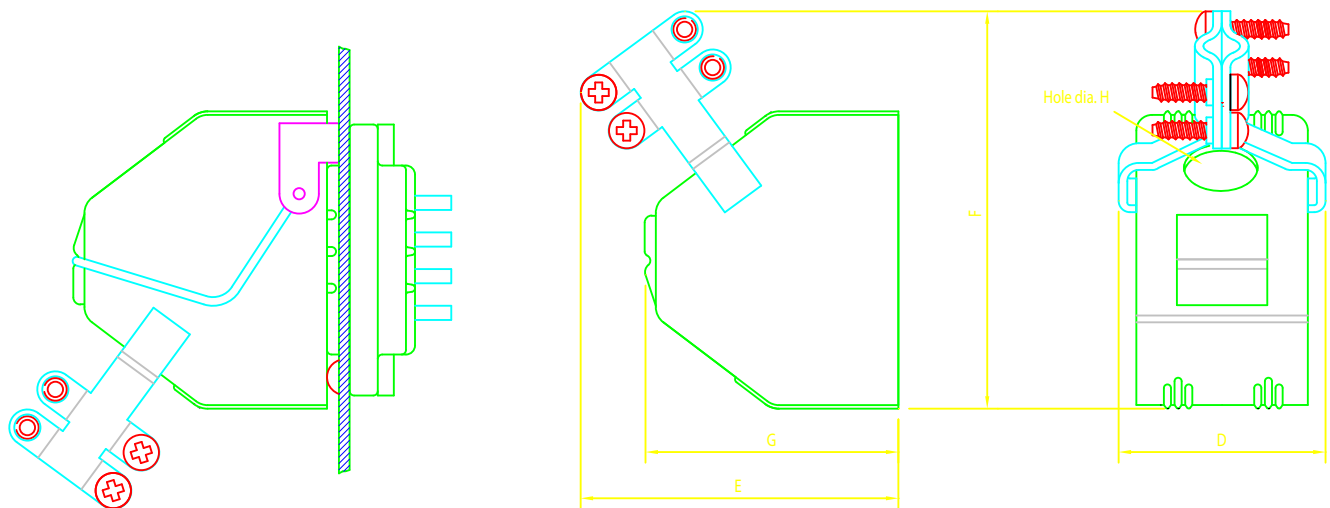


Connector Size	Plug and socket dimensions		
	A	B	C
4	10.3	7.3	two mounting holes only
8	15.8	12.8	
12	21.4	18.4	
20	32.5	29.5	



Connector Size	Shell dimensions				
	D	E	F	G	H(min)
4	17.9	45.7	56.4	35.7	8.5
8	23.4	46.8	57.2	35.7	10.3
12	29.4	46.8	57.2	35.7	11.8
20	40.0	48.0	58.3	35.7	13.9

Note: the shell dimensions tabled above are approximate and intended as a guide only



Assembly of plug, socket and shell to chassis