

DRAWING NUMBER:

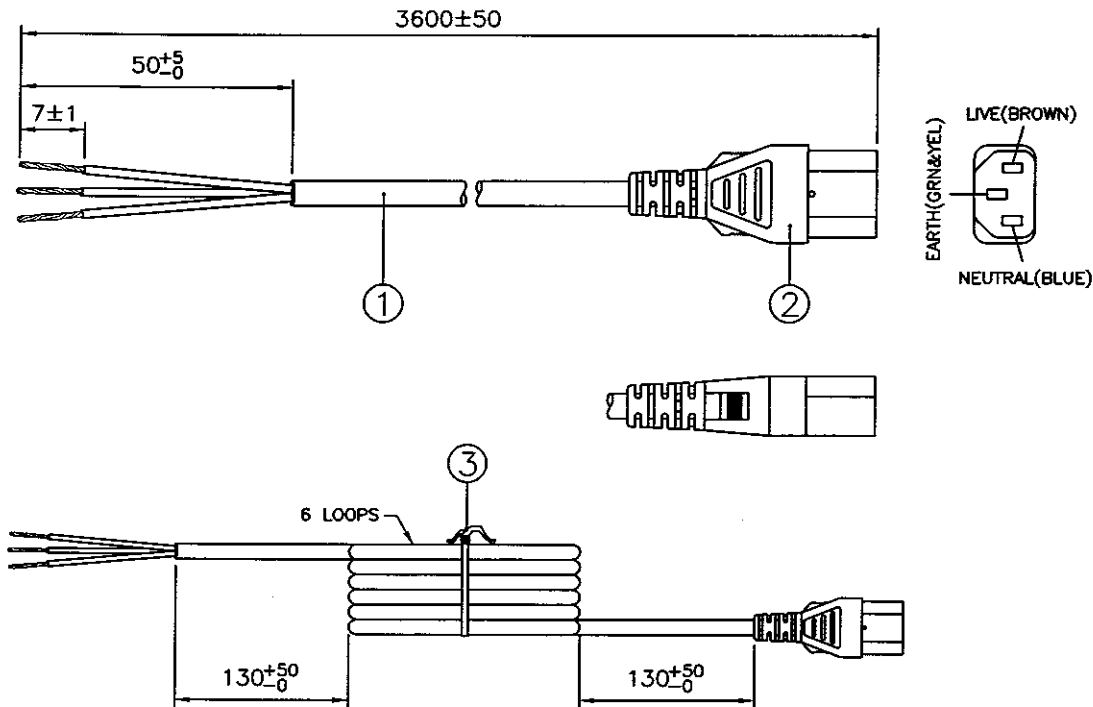
HG02-075-05

CABLE CUTTING

CABLE SOURCE :

1. BAO HING(SHENZHEN).
2. TONG YUAN(SHENZHEN).

ASSEMBLY :



Notes :

1. ALL DIMENSIONS IN mm.
2. CONNECTOR MARKING : REFER TO MARKING DRAWING NO. : VC-0002C.
3. CONNECTOR DETAILS : REFER TO PRODUCT DRAWING NO. : C-0087.
4. THIS PART CAN BE MANUFACTURED AT ANY LOCATION WHICH HAS SAFETY APPROVAL.

REV.	ECN REF. NO.	DESCRIPTION	DATE
1	HG02-075-05	INITIAL RELEASE.	16/02/05

FOR ENQUIRY ONLY
NOT FOR MASS PRODUCTION

APPROVAL BY : _____

DATE : _____

3	8" PE TIE WHT	6310063	1
	IP60G NL7976B BLK	4100115	-
2	MOLDED CONNECTOR V1625 (10A 250V)	V1625	1
1	H05VV-F 3X1.00 BLK PVC LEAD FREE	1210365	-

S/N	DESCRIPTION	ITEM NUMBER	QTY
TITLE : EUROPEAN POWER SUPPLY CORD (ROHS FR)		PAGE : 1/1	
CUSTOMER : VPE/FARNELL ELECTRICS		HG02-075-05	
CUSTOMER PART NUMBER : X-152578A		REVISION	
F/G CODE : - - - -		1	

SALES :	QA :	ENGRG :	CHECKED BY :	DRAWN BY :	Voilex (Asia) Pte Ltd <small>Confidential property of Voilex. Information contained herein shall not be disclosed to others, reproduced or used for any other purposes except as authorized in writing by an authorized official of voilex asia.</small>
DATE :	DATE :	DATE :	DATE :	DATE :	
		17/2/05	17/2/05	16/02/05	