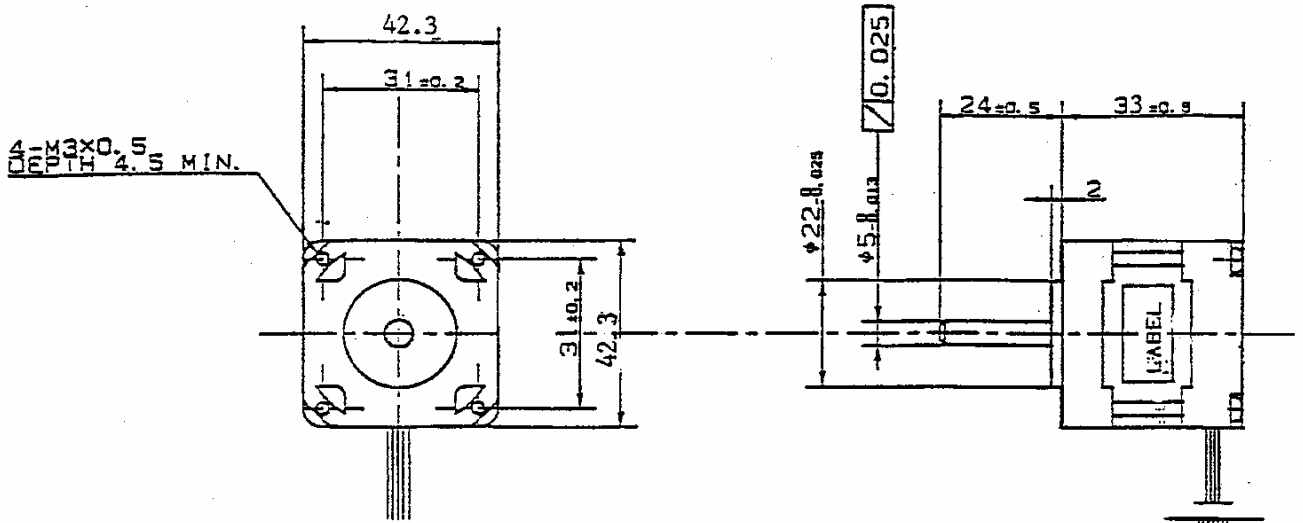
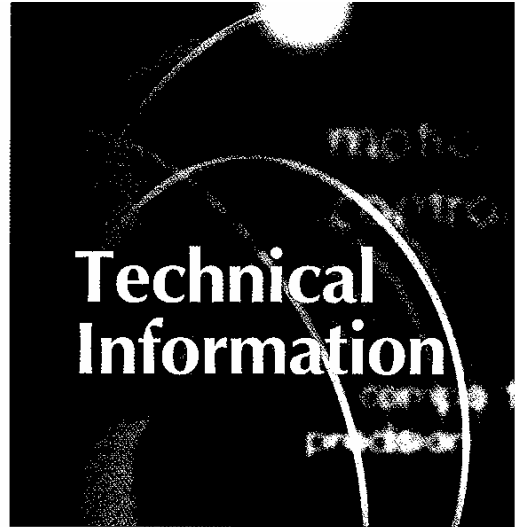


Stepping Motor

Type Y129



Specification		Y129
Step angle		1.8°
Step angle accuracy	%	5
Phase current	A	0.16
Phase resistance	Ω	75
Phase inductance	mH	60
Holding torque unipolar	Ncm	9
Holding torque bipolar	Ncm	-
Detent torque	Ncm	1.5
Rotor inertia	g cm ²	28
Mass	Kg	0.22
Insulation Class		B
Shaft configuration		Single
Number of leads		6

All dimensions in mm

Issue 01 01/03

ASTROSYN
 ADVANCING THE DRIVE TOWARDS MOTOR EFFICIENCY



ASTROSYN

TECHNICAL DATA

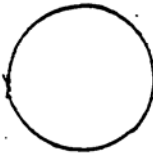
STEPPER MOTOR Y129

NEW

OLD

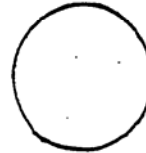
AMENDMENT TO LEAD WIRE COLOUR CODE CONFIGURATION TO FARNELL TYPE 586389 EFFECTIVE FROM THE 26TH MARCH 1997.

BROWN	A
WHITE	O
RED	A



ORANGE	B
BLACK	O
YELLOW	B

BROWN	A
BLACK	O
ORANGE	A



RED	B
WHITE	O
YELLOW	B