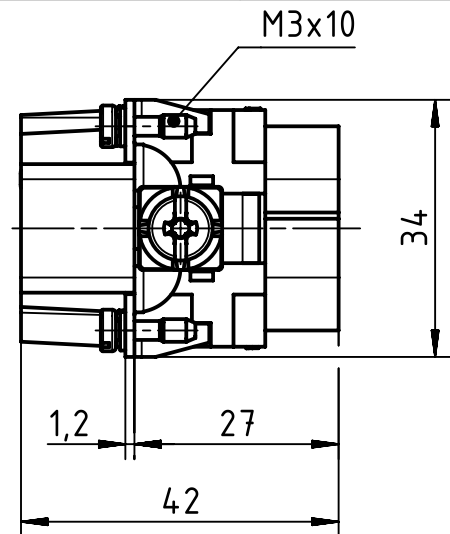
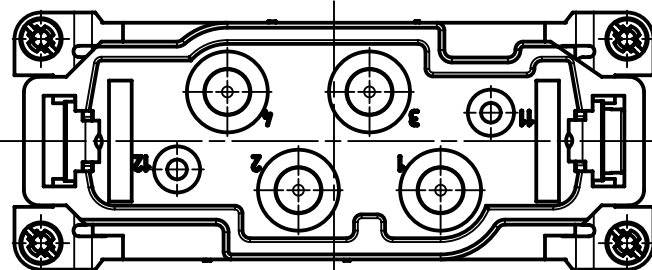


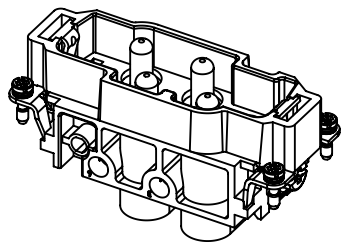
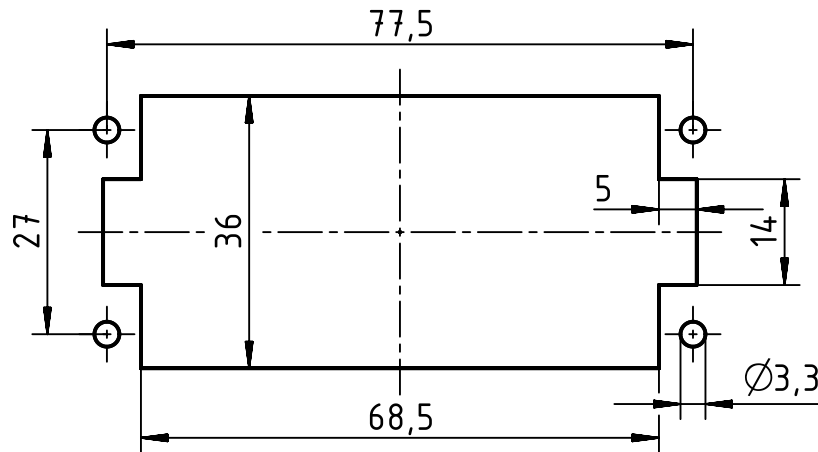
X



X



panel cut out



	All Dimensions in mm Original Size DIN A4		Scale 1:1	Free size tol.		Ref.	
	All rights reserved Department EL PD		Created by LUPU	Inspected by PRIESTER	Standardisation RUETERA	Sub.	
HARTING Electric GmbH & Co. KG D-32339 Espelkamp		Title <b>Han K 4/0 Pin Male Insert</b>				Date 2018-12-06	State Final Release
		Type TB	Number 09 38 006 2611			Doc-Key / ECM-Nr. 100217264/UGD/006/D 500000118045	Rev. D
						Page 1/1	