

NOTES:

- MATERIALS AND FINISHES :
 BODY, OUTER CONTACT - BRASS, SILVER PLATING
 COUPLING NUT, INNER FERRULE
 CONTACT FRONT - BRASS, GOLD PLATING
 CONTACT REAR - PHOSPHOR BRONZE, GOLD PLATING
 OUTER FERRULE - COPPER, SILVER PLATING
 INSULATORS - PTFE, NATURAL
 GASKET - SILICONE RUBBER, RED

- ELECTRICAL:
 A. IMPEDANCE: 50 OHM

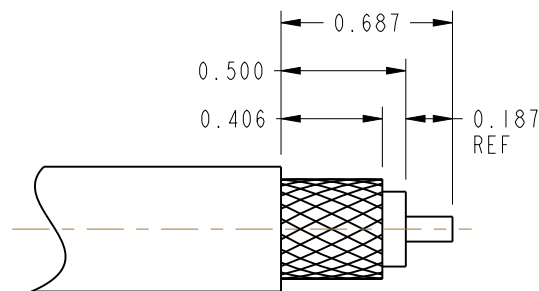
- MECHANICAL:
 A. DURABILITY: 500 CYCLES MIN.
 B. TEMPERATURE RANGE: -65° C TO +165° C

- PACKAGING:
 A. QUANTITY: SINGLE PACK
 B. MARKING: BAG TO BE MARKED
 "AMPHENOL RF, 82-4440 , AND DATE CODE"

- CABLE ASSEMBLY INSTRUCTIONS:
 A. TRIM CABLE AS SHOWN.
 B. INSERT CABLE CENTER CONDUCTOR TO CONTACT.
 C. SOLDER CONTACT TO CABLE OR CRIMP CONTACT TO CABLE.
 WHEN CRIMPING CONTACT TO CABLE, CRIMP WITH AMPHENOL TOOL M22520/1-01 WITH M22520/1-13 POSITIONER OR (AMPHENOL TOOL FRAME 227-944 WITH AMPHENOL DIE SET 221-1221-25, CLOSURE 'B' (0.100 HEX) NON CONFORMING).
 D. INSERT CABLE INTO CONNECTOR WITH BRAID OVER KNURL UNTIL IT BOTTOMS.
 E. CRIMP FERRULE WITH AMPHENOL TOOL 227-944 (M22520/5-01) AND DIE SET 227-1221-25 CAVITY 'A' OR (M22520/5-25, CLOSURE 'A')

- HEAT SHRINK TUBING SUPPLIED ON REQUEST (68180-4)

7 SHOWS CABLE ENTRY DIMENSIONS.



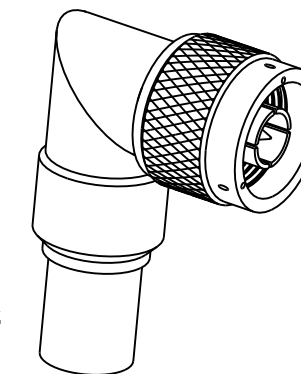
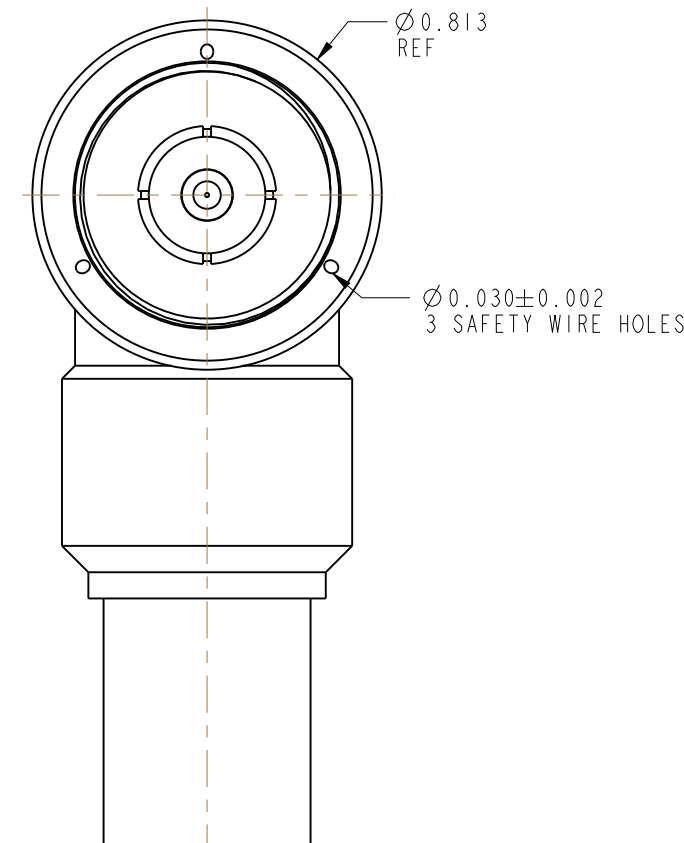
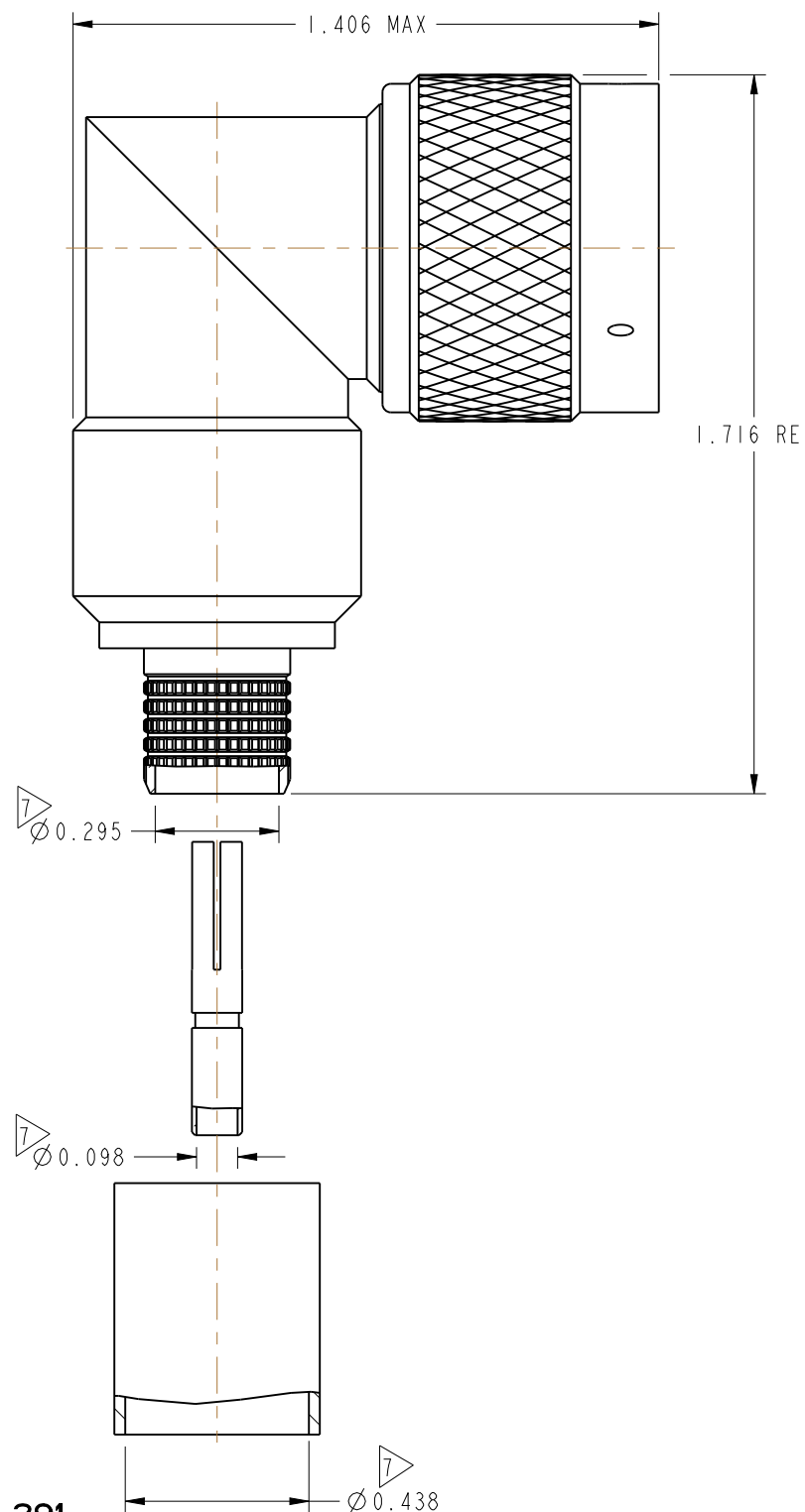
RECOMMENDED CABLE STRIPPING DIMENSIONS

MIL-C-39012 INSPECTION

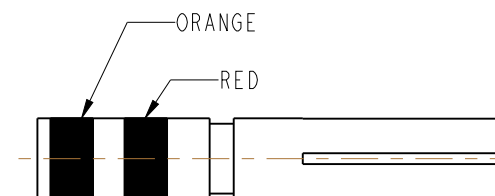
THIRD ANGLE PROJ.

REVISIONS

REV	DESCRIPTION	DATE	ECO	APPR
	RELEASE TO MFG.	--	--	--
AA	REDRAWN IN PRO-E & COD ADDED	11/18/13	49751	CL



SCALE 1.000



CUSTOMER OUTLINE DRAWING

ALL OTHER SHEETS ARE FOR INTERNAL USE ONLY

THIS CONNECTOR IS COVERED BY U.S. PATENT 3,439,294 & 3,474,391

UNLESS OTHERWISE SPECIFIED, DIMENSIONS ARE IN INCHES AND TOLERANCES ARE: 2 PLACE DECIMAL 3 PLACE DECIMAL ANGLES ±.015 (0,381 mm) ±.005 (0,127 mm) ± 1°	MATERIAL	DRAWN	DATE	TITLE TYPE 'N' RIGHT ANGLE PLUG MIL-CRIMP (CATEGORY D) FOR RG 9,214,225 & 393/U CABLES		Amphenol RF www.amphenolrf.com
	SEE NOTES	CLEMENT	03-Oct-13			
NOTICE - These drawings, specifications, or other data (1) are, and remain the property of Amphenol corp. (2) must be returned upon request; and (3) are confidential and not to be disclosed to any person other than those to whom they are given by Amphenol Corp. the furnishing of these drawings, specifications, or other data by Amphenol Corp., or to any other person to anyone for any purpose is not to be regarded by implication or otherwise in any manner licensing, granting rights to permitting such holder or any other person to manufacture, use or sell any product, process or design, patented or otherwise, that may in any way be related to or disclosed by said drawings, specifications, or other data.	REFERENCE	ENGINEER	DATE	SCALE: 2.2:1.0 SHEET 2 OF 2		DRAWING NO.82-4440
	DOR 312603-51 MIL-C-39012/05-0503	O. BARTHELME	11/18/13	DWG SIZE B		ITEM NO.82-4440
	FINISH	APPROVED	DATE	REV	PART NO.82-4440	
		O. BARTHELME	11/18/13	AA		