

4-1445050-0 ✓ ACTIVE

MATE-N-LOK | Micro MATE-N-LOK

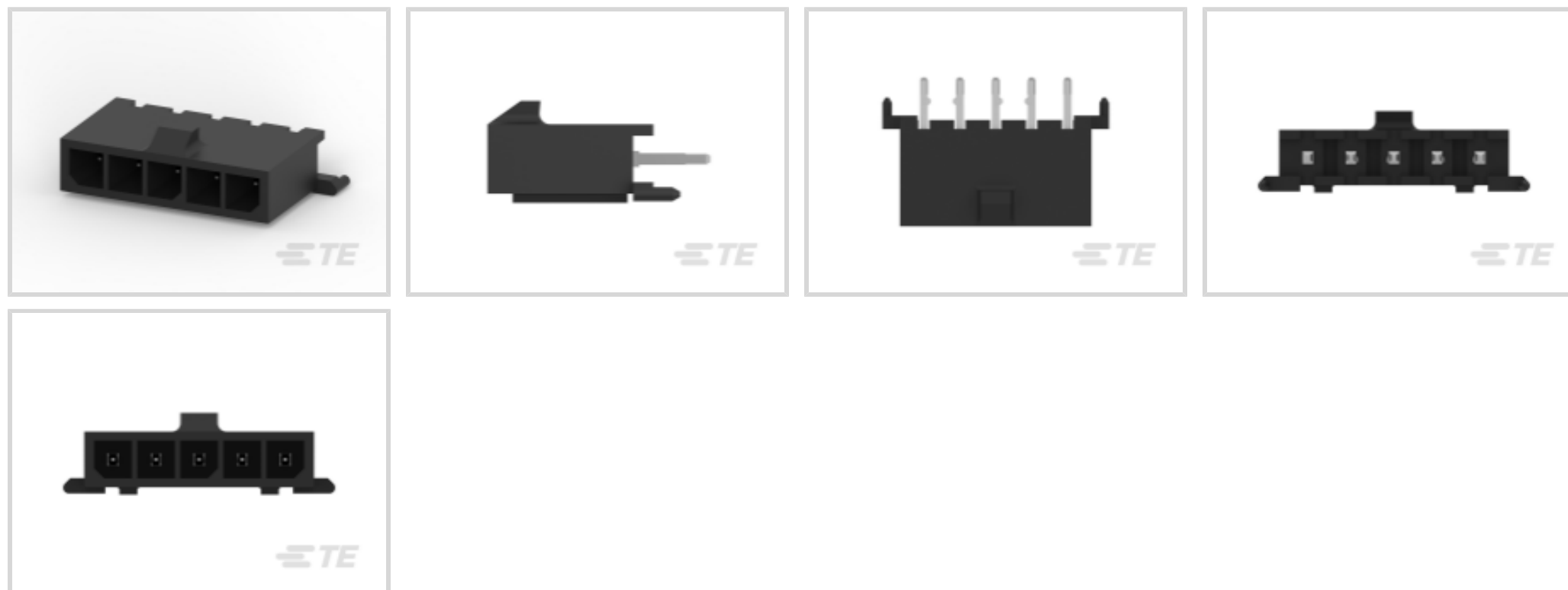
TE Internal #: 4-1445050-0

Micro MATE-N-LOK, Rectangular Power Connectors, Header, Plug, Wire-to-Board, 10 Position, 3mm [.118in] Centerline, Printed Circuit Board, UL 94V-0

[View on TE.com >](#)



Connectors > Power Connectors > Rectangular Power > Rectangular Power Connectors



Rectangular Power Connector Type: **Header**

Connector & Housing Type: **Plug**

Connector System: **Wire-to-Board**

Number of Positions: **10**

Centerline (Pitch): **3 mm [.118 in]**

Features

Product Type Features

Rectangular Power Connector Type	Header
Connector & Housing Type	Plug
Connector System	Wire-to-Board
Sealable	No
Connector & Contact Terminates To	Printed Circuit Board

Configuration Features

Number of Positions	10
PCB Mount Orientation	Vertical
Number of Power Positions	10
Number of Rows	1

Electrical Characteristics

Operating Voltage	250 VDC
-------------------	---------

Contact Features

Contact Current Rating (Max)	5 A
------------------------------	-----



Contact Retention Within Housing	Without
Contact Type	Pin
PCB Contact Termination Area Plating Material	Tin
Contact Mating Area Plating Material	Tin
Contact Mating Area Plating Material Thickness	2.54 μ m[100 μ in]

Termination Features

Termination Method to Printed Circuit Board	Through Hole - Solder
---	-----------------------

Mechanical Attachment

Connector Mounting Type	Board Mount
-------------------------	-------------

Housing Features

Centerline (Pitch)	3 mm[.118 in]
Housing Color	Black
Housing Material	High Temperature Nylon

Usage Conditions

Operating Temperature Range	-40 – 105 °C[-40 – 221 °F]
-----------------------------	----------------------------

Operation/Application

Circuit Application	Power
---------------------	-------

Industry Standards

UL Flammability Rating	UL 94V-0
Glow Wire Rating	Standard Part - Not Glow Wire
Agency/Standard	CSA

Packaging Features

Packaging Method	Box & Tray
------------------	------------

Product Compliance

[For compliance documentation, visit the product page on TE.com>](#)

EU RoHS Directive 2011/65/EU	Compliant
EU ELV Directive 2000/53/EC	Compliant
China RoHS 2 Directive MIIT Order No 32, 2016	No Restricted Materials Above Threshold
EU REACH Regulation (EC) No. 1907/2006	Current ECHA Candidate List: JAN 2021 (211) Candidate List Declared Against: JAN 2021 (211)



Does not contain REACH SVHC

Halogen Content

Low Halogen - Br, Cl, F, I < 900 ppm per homogenous material. Also BFR/CFR/PVC Free

Solder Process Capability

Not reviewed for solder process capability

Product Compliance Disclaimer

This information is provided based on reasonable inquiry of our suppliers and represents our current actual knowledge based on the information they provided. This information is subject to change. The part numbers that TE has identified as EU RoHS compliant have a maximum concentration of 0.1% by weight in homogenous materials for lead, hexavalent chromium, mercury, PBB, PBDE, DBP, BBP, DEHP, DIBP, and 0.01% for cadmium, or qualify for an exemption to these limits as defined in the Annexes of Directive 2011/65/EU (RoHS2). Finished electrical and electronic equipment products will be CE marked as required by Directive 2011/65/EU. Components may not be CE marked. Additionally, the part numbers that TE has identified as EU ELV compliant have a maximum concentration of 0.1% by weight in homogenous materials for lead, hexavalent chromium, and mercury, and 0.01% for cadmium, or qualify for an exemption to these limits as defined in the Annexes of Directive 2000/53/EC (ELV). Regarding the REACH Regulation, the information TE provides on SVHC in articles for this part number is based on the latest European Chemicals Agency (ECHA) 'Guidance on requirements for substances in articles' posted at this URL: <https://echa.europa.eu/guidance-documents/guidance-on-reach>

Compatible Parts



TE Part # 2-1445055-6
MICRO MNL HDR ASSY S/ROW LF



TE Part # 2-1445055-7
MICRO MNL HDR ASSY S/ROW LF



TE Part # 2-1445051-2
MICRO MNL HDR ASSY S/ROW LF



TE Part # 2-1445051-9
MICRO MNL HDR ASSY S/ROW LF



TE Part # 2-1445051-4
MICRO MNL HDR ASSY S/ROW LF



TE Part # 3-1445051-0
MICRO MNL HDR ASSY S/ROW LF



TE Part # 3-1445051-1
MICRO MNL HDR ASSY S/ROW LF



TE Part # 3-1445051-2
MICRO MNL HDR ASSY S/ROW LF



TE Part # 3-1445052-0
MICRO MNL HDR ASSY S/ROW LF



TE Part # 3-1445055-0
MICRO MNL HDR ASSY S/ROW LF

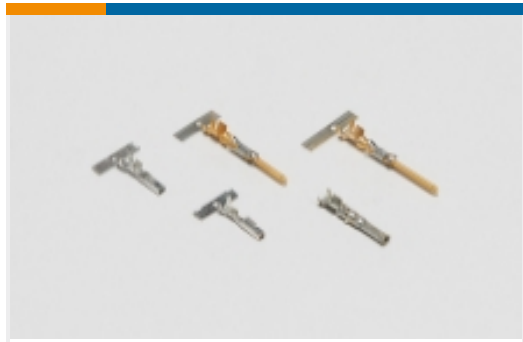
Also in the Series | Micro MATE-N-LOK



Connector Contacts(1)



Insertion & Extraction Tools(1)

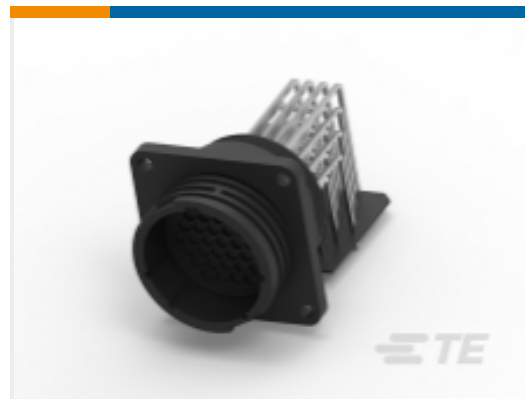


Power Contacts(26)



Rectangular Power Connectors(712)

Customers Also Bought



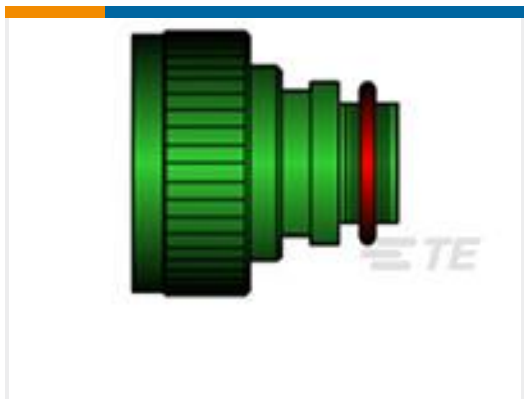
TE Part #208283-4
CPC SERIES 1 POSTED



TE Part #5-5177986-1
Free Height Plug Connector: Board-Board, Vertical, 40, 0.8mm



TE Part #1734839-5
0.5mm FPC Connectors



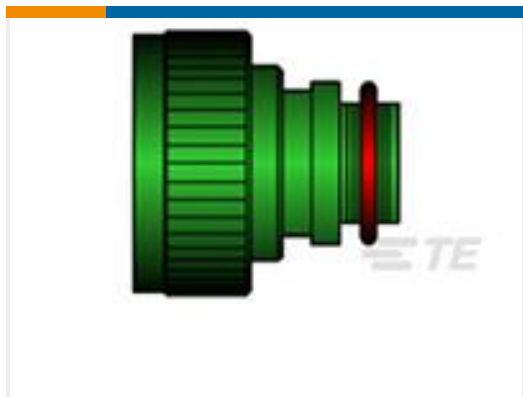
TE Part #121571-000
TXR40AB00-1610AI



TE Part #2007464-2
SFP+ 1x1 Cage Assy, PF,with Heatsink



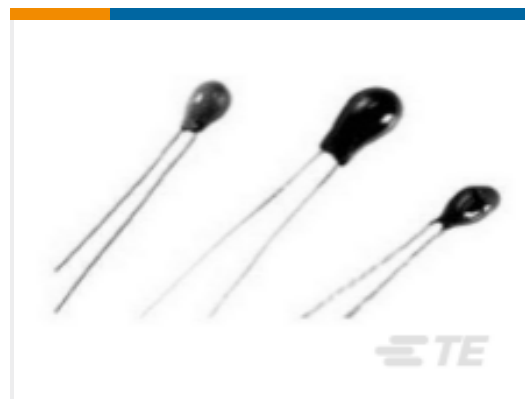
TE Part #213890-2
CPC RECPT SEALED SIZE 17-3



TE Part #776553-000
TXR40AB00-1207AI



TE Part #213847-1
POWERBAND CONTACTS



TE Part #11028730-00
Model 44000 Series



TE Part #213899-1
CPC SEAL ASSY KIT,SRS 5,17-3

Documents

Product Drawings

MICRO MNL HDR ASSY S/ROW LF

English

CAD Files

3D PDF

3D



Customer View Model

[ENG_CVM_CVM_4-1445050-0_A.2d_dxf.zip](#)

English

Customer View Model

[ENG_CVM_CVM_4-1445050-0_A.3d_igs.zip](#)

English

Customer View Model

[ENG_CVM_CVM_4-1445050-0_A.3d_stp.zip](#)

English

By downloading the CAD file I accept and agree to the [Terms and Conditions](#) of use.

Product Specifications

[Application Specification](#)

English

Product Environmental Compliance

[TE Material Declaration](#)

English