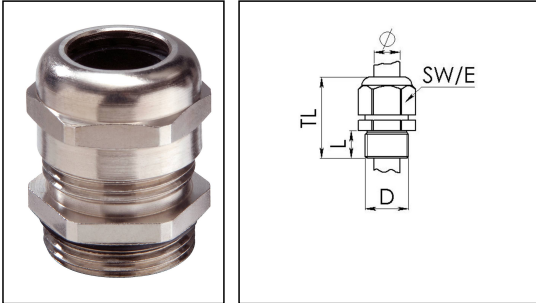


MSKV 9

Cable gland, brass



Products may differ in size, colour and appearance to those shown. If you require further information or customisation, please contact us directly.



Material cable gland	Brass nickel-plated
Material clamping cage	Polyamide
Material sealing gasket	TPV
Temp. range min	-40 °C
Temp. range max	100 °C
Protection class	IP68 (5 bar 30 min), IP69
Thread type	PG
Ø Connection thread D	9
Length screw-in thread L	6 mm
Ø cable diameter min	4 mm
Ø cable diameter max	8 mm
Key width SW	17 mm
Collar diameter (E)	19 mm
Total length TL	21 mm - 25 mm
Install. torques fitting	12 N/m
Install. torques cap nut	8 N/m
Impact category	6
Surface	Nickel-plated
Order no. nickel-plated	10062282
Type	MSKV 9
Packing unit	50
Tariff number	74198090
EAN number	4007685622820
ETIM-Classification	EC000441

Your Contact:

WISKA UK Ltd.

Unit 7, Hurling Way · St. Columb Major Business Park · TR9 6SX, St. Columb Major, Cornwall · Great Britain

☎ +44-12-08816062 · 📠 +44-12-08816708

info@wiska.co.uk · www.wiska.co.uk

Recommended accessories

MMU 9



10062142

16.08.2023

Your Contact:

WISKA UK Ltd.

Unit 7, Hurling Way · St. Columb Major Business Park · TR9 6SX, St. Columb Major, Cornwall · Great Britain

 +44-12-08816062 ·  +44-12-08816708

info@wiska.co.uk · www.wiska.co.uk



Your Contact:

WISKA UK Ltd.

Unit 7, Hurling Way · St. Columb Major Business Park · TR9 6SX, St. Columb Major, Cornwall · Great Britain

☎ +44-12-08816062 · 📠 +44-12-08816708

info@wiska.co.uk · www.wiska.co.uk