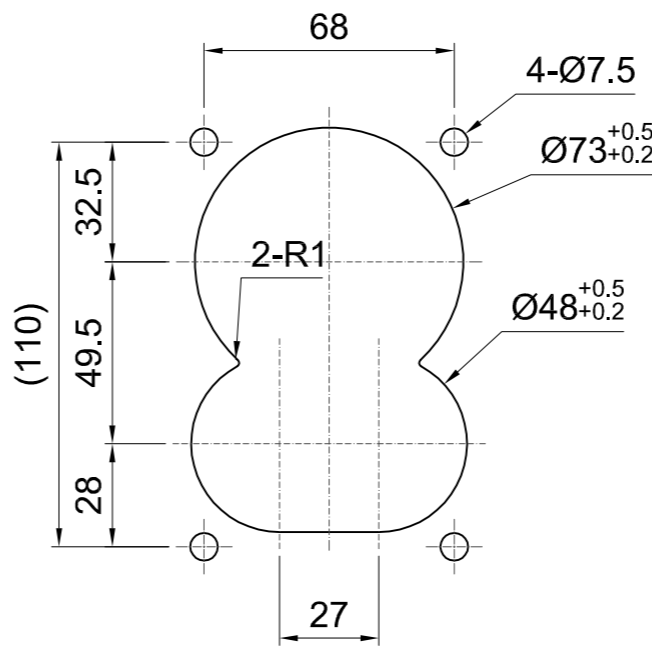
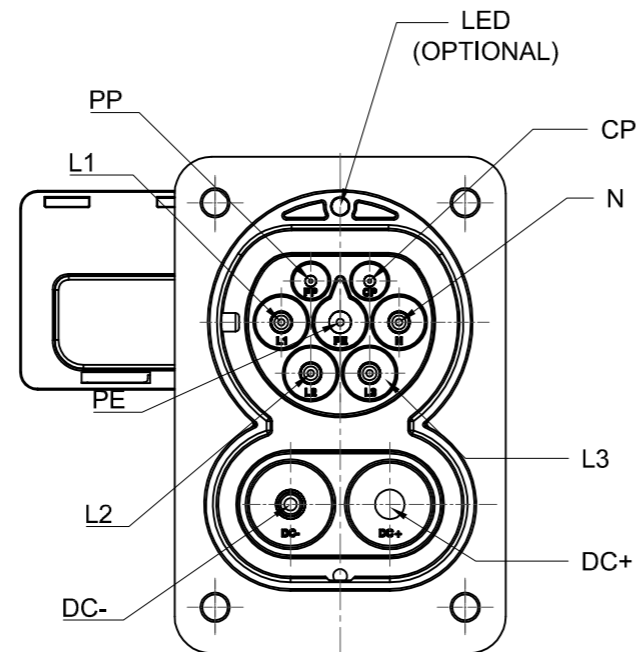
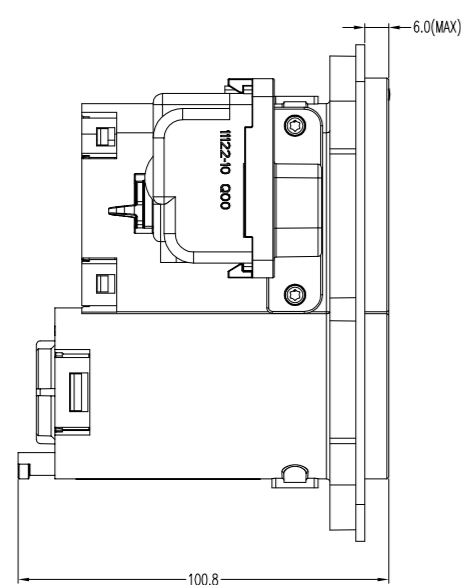
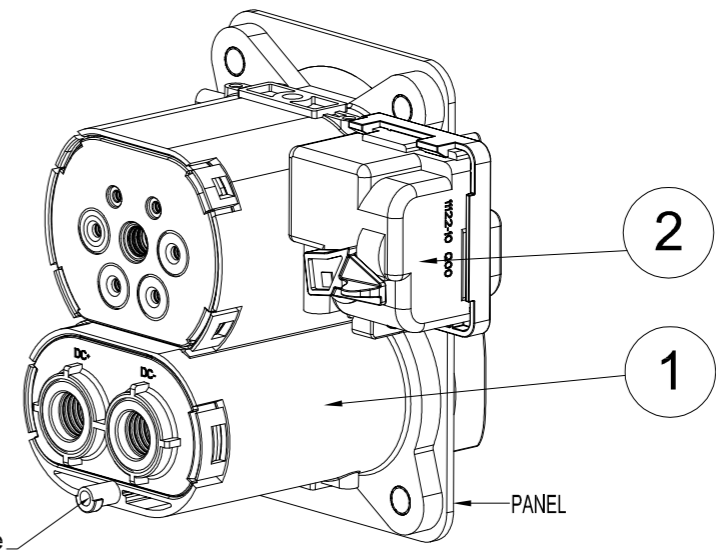
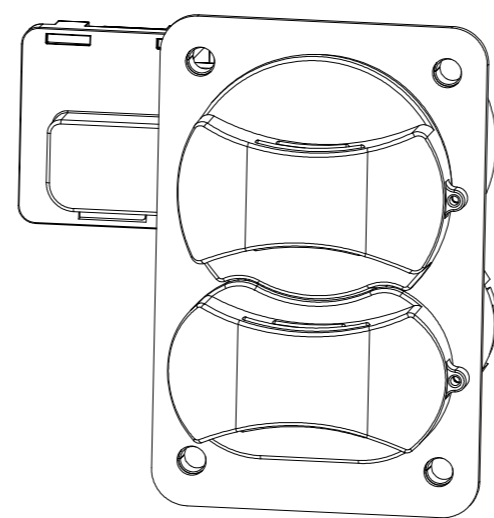
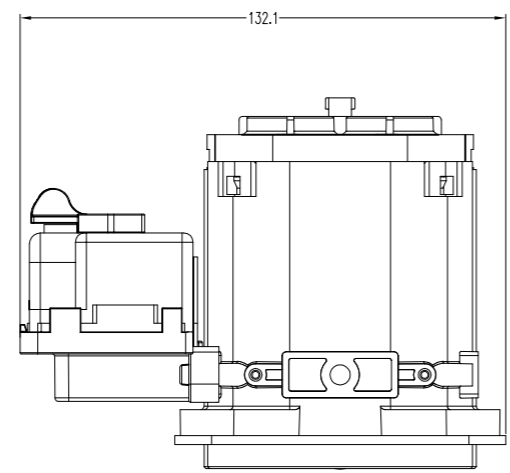
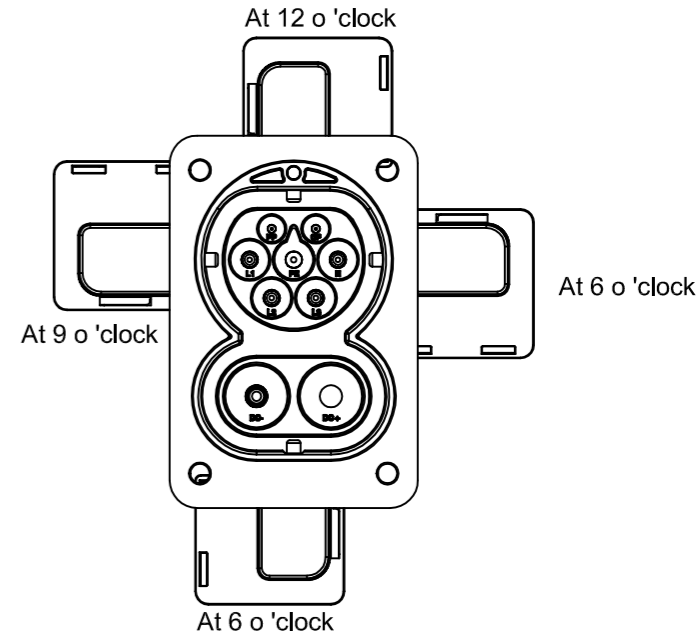


Amphenol PCDSZ  
ORIGINAL  
PDF Format  
24 Mar.17R&D

REV	ECN	DESCRIPTION	DATE	MODIFIED
A		PRE-RELEASE	2017-03-24	SKY.L



Hole position of mounting plate



Further possible locking positions

2	HVCOCBELCKH	HELLA ELOCK-DC12V
1	HVCOCF6ATR8SF950LXXXX	IEC COMBO VEHICLE INLET 125A
NO.	P/N	Notes

DIMENSIONS	TOLERANCES	PROJECTION	Amphenol Pcd Shenzhen	
ANSI Y14.5M UNITS: MM CAD FILE	.X ± 0.5 .XX ± 0.20 ANGLES ± 0.5°		ENGR SKY L	2017-03-24
ORIGINAL NOT FOR CUSTOMER DISTRIBUTION	THIS DOCUMENT CONTAINS PROPRIETARY INFORMATION WHICH IS THE CONFIDENTIAL PROPERTY OF AMPHENOL PCD SHENZHEN		CHKD	
			APPD	

TITLE			
IEC COMBO VEHICLE INLET FOR DC125A			
SIZE	DWG NO.	REV	
A3	ASSEMBLE DRAWING	A	
CODE:	SCALE 1:1	SHEET	1 OF 2

REV	ECN	DESCRIPTION	DATE	MODIFIED
A		PRE-RELEASE	2017-03-24	SKY.L

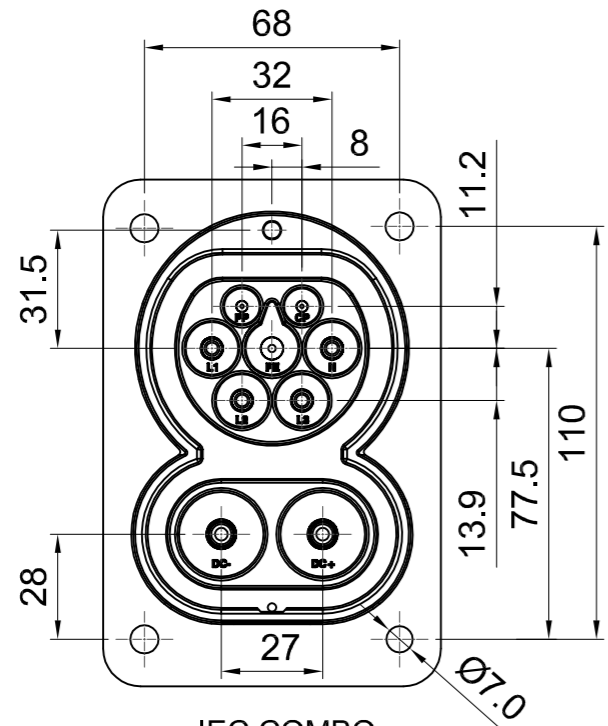
Amphenol PCD SZ  
ORIGINAL  
PDF Format  
24 Mar.17R&D

HVCO-CF6-A-T-R8-SF950-LXXXX

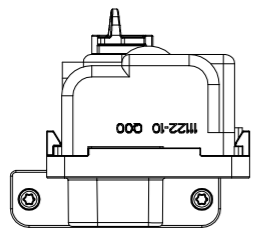
LIST OF TOLERANCE

LENGTH	TOLERANCE
0~1000MM	±50
1000~5000MM	±100
>5000MM	±200

LENGTH  
500MM:L0500  
1000MM:L1000

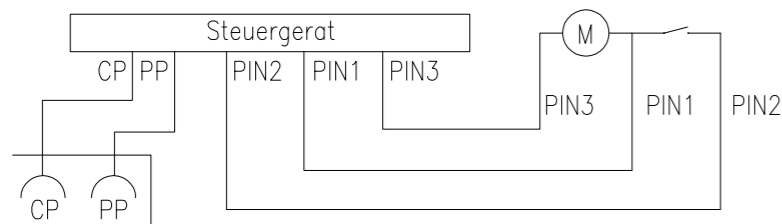


IEC COMBO  
FOR VEHICLE COUPLER SOCKET 125A

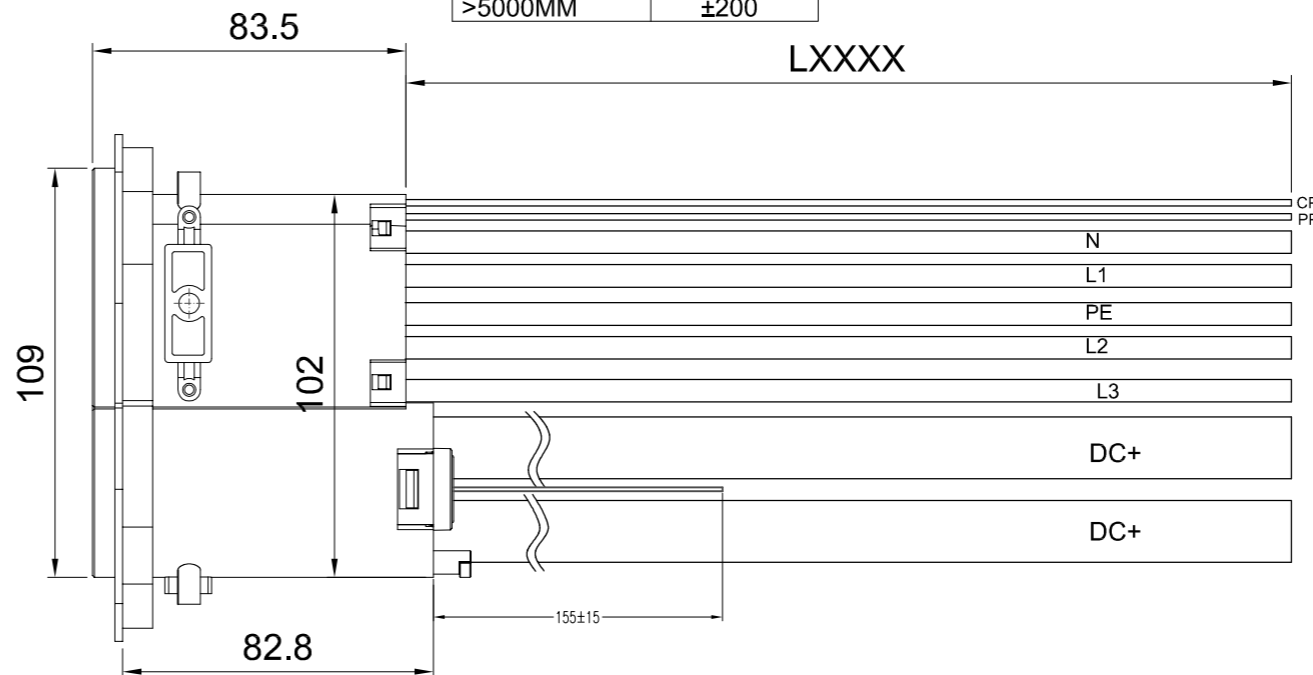


HVCO-CB-ELOCK-H  
Buy separately

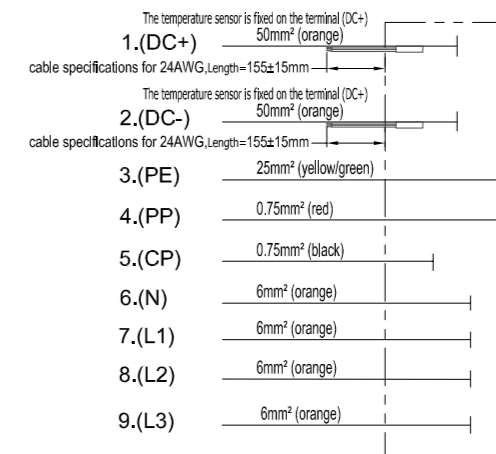
E-LOCK CIRCUIT



	PIN 3	PIN 1	PIN 2 SIGNAL
E-LOCK			
UNLOCKING	+12V DC	-	
LOCKING	-	+12V DC	SIGNAL



CABLE CONNECT METHOD



NOTES:

- TECHNOLOGY SPECIFICATION:
  - OPERATING AMBIANT TEMPERATURE -30°C~50°C,
  - OPINERATG VOLTAGE & RATE CURRENT:
    - PP & CP: 30V. DC 2A;
    - L1,L2,L3,N:480V. AC 32A: OPTIONAL
    - DC+,DC-:1000V. DC 125A
- REFERENCE IEC 62196-3:2014
- MODE OF CONNECTION:
  - PP & CP  
FIX MALE CONTACT
  - L1 & L2 & L3 & N & PE  
FIX MALE CONTACT
  - DC+ & DC-  
FIX MALE CONTACT
- THE TWO POWER CONTACTS DC+ AND DC- ARE MONITORED BY TEMPERATURE-DEPENDENT RESISTOR SENSORS

DIMENSIONS	TOLERANCES	PROJECTION	Amphenol Pcd Shenzhen	TITLE
ANSI Y14.5M UNITS: MM CAD FILE	.X ± 0.5 .XX ±0.20 ANGLES ±0.5°		ENGR SKY.L 2017-03-24	IEC COMBO FOR VEHICLE INLET 125A WITH TEMPERATURE SENSOR
ORIGINAL NOT FOR CUSTOMER DISTRIBUTION	THIS DOCUMENT CONTAINS PROPRIETARY INFORMATION WHICH IS THE CONFIDENTIAL PROPERTY OF AMPHENOL PCD SHENZHEN		CHKD APPD	SIZE A3 DWG NO. HVCOCF6ATR8SF950LXXXX REV A
				CODE: SCALE 1:1 SHEET 2 OF 2