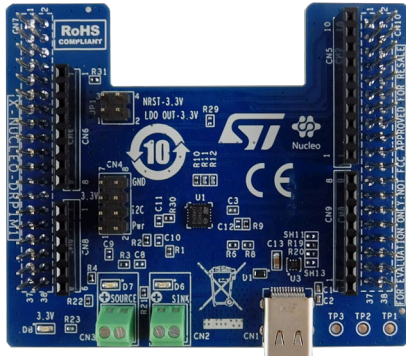


USB Type-C™ Power Delivery dual role power (DRP) and dual role data (DRD) expansion board based on TCPP03-M20 for STM32 Nucleo



Features

- Support for all USB Type-C™ Power Delivery SPR profiles up to 100 W
- Management of Dual Role Data/Power configuration
- USB 2.0 Dual Role Data compliant according to STM32 USB data capability
- 8/20 μ s surge, overvoltage, overcurrent protection and discharge for V_{BUS}
- Short to V_{BUS} protection for CC1 and CC2 configuration channel pins
- ESD protection (IEC61000-4-2 level 4 \pm 8 kV contact discharge) for CC1, CC2, D+ and D-
- Overvoltage, overcurrent protection and discharge for V_{CONN}
- Common mode filter on D+/D- data lines
- Three power modes to optimize current consumption
- Compliant with Programmable Power Supplies (PPS)
- Free comprehensive development firmware library
- Compliant with STM32 Nucleo-64 boards featuring an STM32 with UCPD

Description

The **X-NUCLEO-DRP1M1** expansion board allows evaluating the features of **TCPP03-M20** and the USB Type-C™ features and protections required for V_{BUS} and CC lines suitable for dual role power (DRP) applications.

The expansion board can be stacked on top of any STM32 Nucleo-64 with Power Delivery (UCPD) peripheral embedded in their microcontrollers.

The **X-NUCLEO-DRP1M1** effectively demonstrates the dead battery and Sink operation, thanks to the integrated **ST715PU33R** LDO linear regulator that supplies the connected **STM32 Nucleo** development board. It also demonstrates USB Type-C™ Source operation when a compatible external Source is connected to the board.

Moreover, the expansion board allows Dual Role Data functionalities for sourcing devices.

The **X-NUCLEO-DRP1M1** is compliant with the USB Type-C™ and Power Delivery specifications 3.1 standard power range (SPR) and is USB-IF certified as a 100 W DRP solution supporting programmable power supply (PPS).

The companion software package (**X-CUBE-TCPP**) contains the application examples for development boards embedding UCPD-based microcontrollers (**NUCLEO-G071RB** and **NUCLEO-G474RE**) that can be ported to other development boards embedding UCPD-based microcontrollers (for example, **NUCLEO-G0B1RE**).

Product summary	
USB Type-C power delivery dual role power (DRP) and dual role data (DRD) expansion board based on TCPP03-M20	X-NUCLEO-DRP1M1
USB Type-C power delivery sink software expansion for STM32Cube	X-CUBE-TCPP
STM32 Nucleo-64 development board with STM32G071RB MCU	NUCLEO-G071RB
Applications	USB Type C and Power Delivery

1 Schematic diagrams

Figure 1. X-NUCLEO-DRP1M1 schematic diagram (1 of 3)

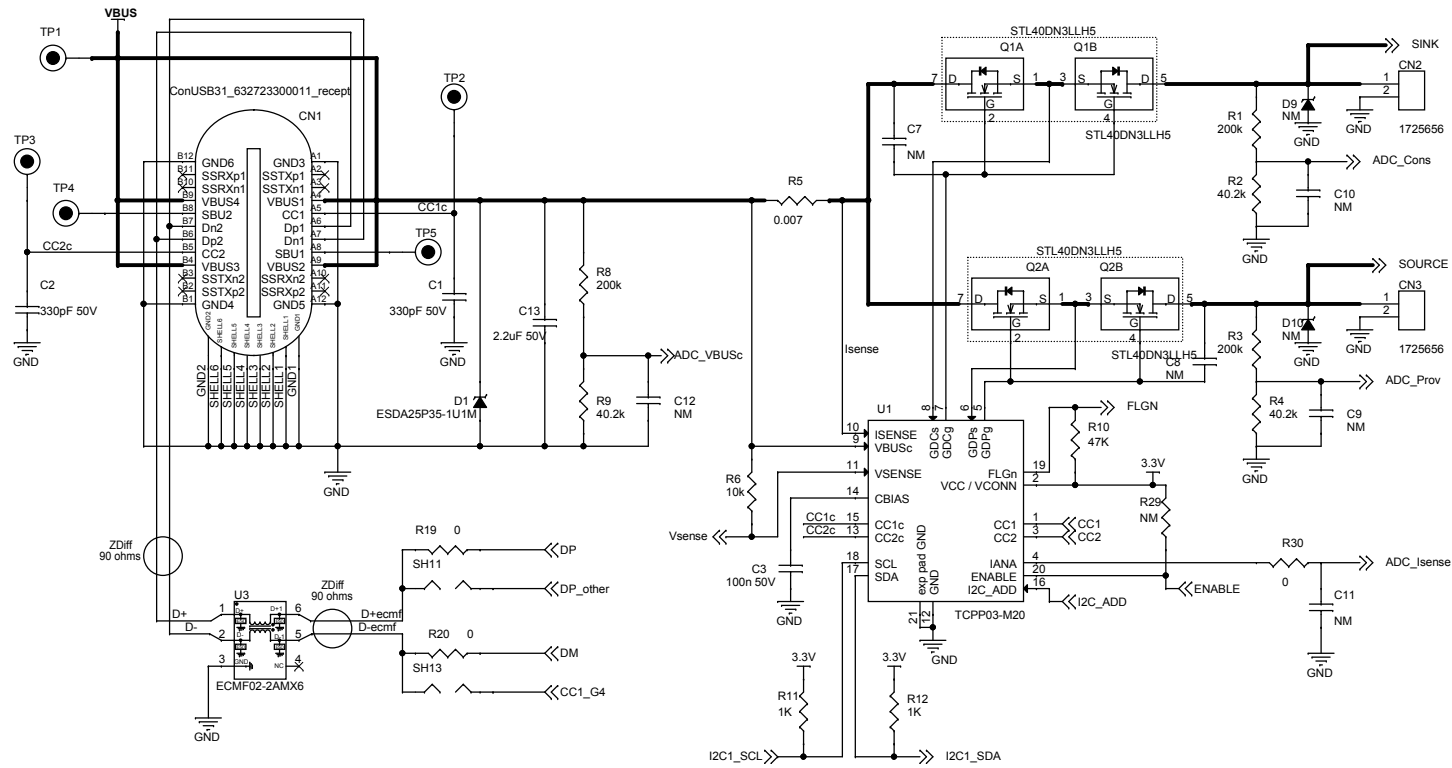


Figure 2. X-NUCLEO-DRP1M1 schematic diagram (2 of 3)

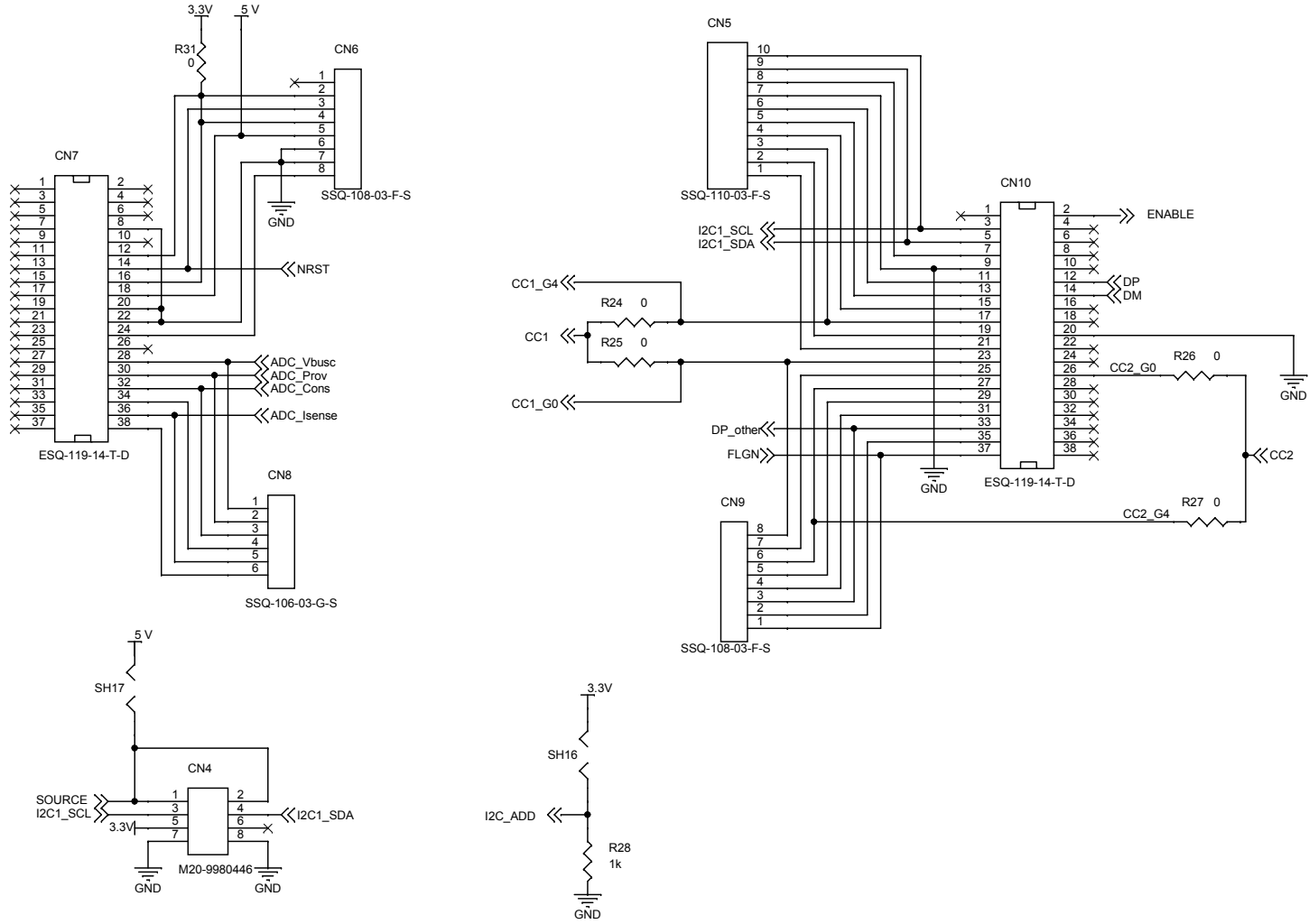
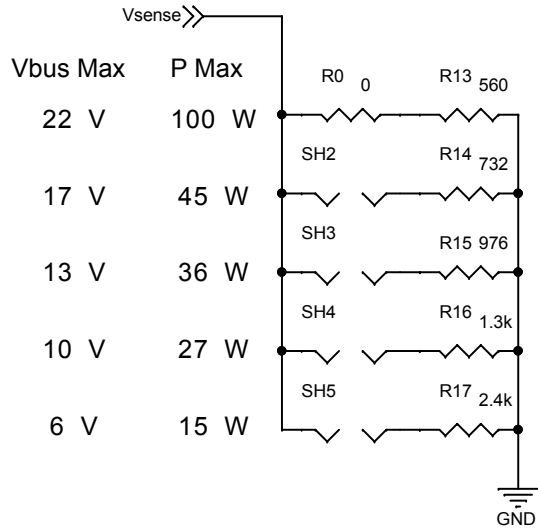
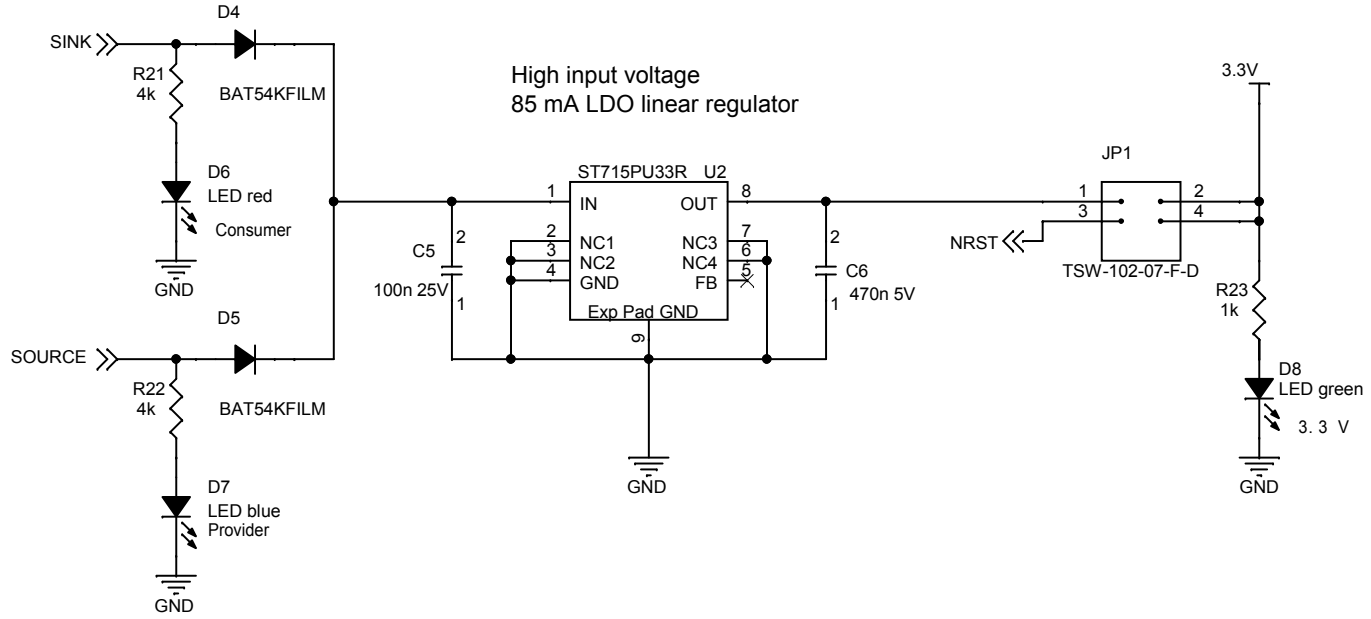


Figure 3. X-NUCLEO-DRP1M1 schematic diagram (3 of 3)



Revision history

Table 1. Document revision history

Date	Revision	Changes
11-Jul-2021	1	Initial release.
18-Feb-2022	2	Updated cover page description.

IMPORTANT NOTICE – PLEASE READ CAREFULLY

STMicroelectronics NV and its subsidiaries (“ST”) reserve the right to make changes, corrections, enhancements, modifications, and improvements to ST products and/or to this document at any time without notice. Purchasers should obtain the latest relevant information on ST products before placing orders. ST products are sold pursuant to ST’s terms and conditions of sale in place at the time of order acknowledgement.

Purchasers are solely responsible for the choice, selection, and use of ST products and ST assumes no liability for application assistance or the design of Purchasers’ products.

No license, express or implied, to any intellectual property right is granted by ST herein.

Resale of ST products with provisions different from the information set forth herein shall void any warranty granted by ST for such product.

ST and the ST logo are trademarks of ST. For additional information about ST trademarks, please refer to www.st.com/trademarks. All other product or service names are the property of their respective owners.

Information in this document supersedes and replaces information previously supplied in any prior versions of this document.

© 2022 STMicroelectronics – All rights reserved