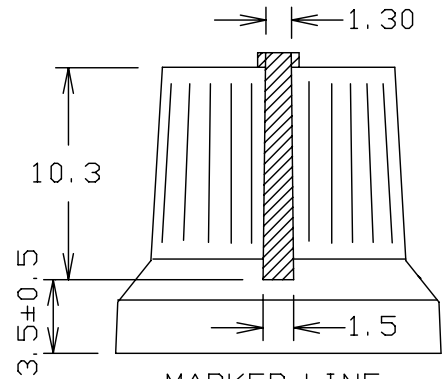
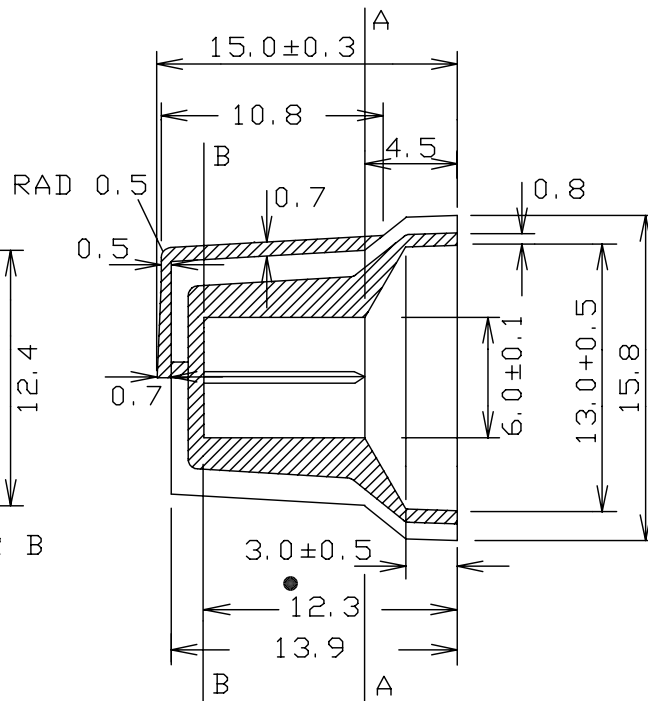
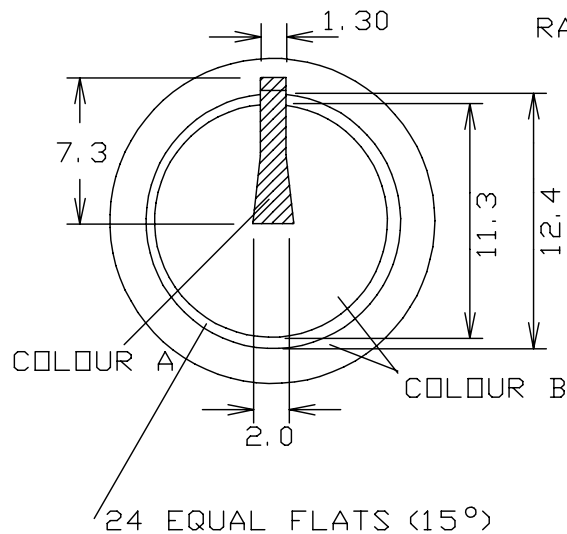


ISS.	AMEND	DATE
1	1st DRAWN	4/10/93
2	TOLS ADDED	2/11/93
3	PEAK NOTE ADD	10/6/94
4	AMEND TO PRODN	28/3/95
5	STD POSN NOTE	5/5/95
6	SHAFT DRWG No.	25/6/96
7	●NOTE ADDED	17/12/97

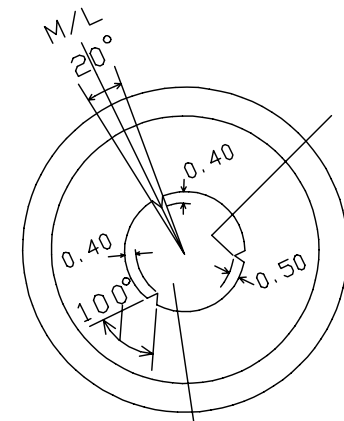


MARKER LINE
POSITION
LOCATED CENTRALLY
IN A FLAT



3 EQUI DISTANCE
SPLINES TO MATCH
FLATS

6mm SPLINE SHAFT
CORES TO BE LOCKABLE
IN 2 POSNS @ 90°
TO LOCATE TO PEAK AND
BOTTOM OF SPLINE
(10°) DIFFERENCE



INTERCHANGABLE
CORES SEE SHAFT
LOCATION DRWG
CL170810P2
FOR OTHER SHAFT
HOLE DETAILS

STD POSN SHOWN

TIP OF PEAKS 'A'
TO RUN OUT FROM MEAN
DIA AT A-A WITH 1/4°
DRAFT BACK TO B-B.

●NOTE. SHAFT HOLE DEPTH
OF 6mm SPL SHAFT
VERSION IS 11.8mm NOT
12.8mm AS FOR OTHER
MODELS.

'R' VERSION HAS TPE OUTER MOULDING.

RoHS
COMPLIANT

Tolerance

NO DEC. PLACE ±
1 DEC. PLACE ± 0.2
2 DEC. PLACE ± 0.05
DIA. HOLES ±
ANGLES ± 1/2°
UNLESS
OTHERWISE STATED

WHERE USED F.R.

SCALE N.T.S.

DIMENSIONS IN MILLIMETERS UNLESS OTHERWISE STATED. WORK TO DIMENSIONS. DO NOT SCALE DRAWING. 3rd ANGLE PROJECTION. REMOVE BURRS. IF IN DOUBT ASK.

Cliff Electronic Components Limited
76 Holmehorpe Ave., Holmehorpe Ind. Estate,
Redhill, Surrey. RH1 2PF. England.
Tel: 01737-771375 Fax: 01737-766012

MATERIAL PP / PP OR PP / TPE

FINISH LIGHT SPARK

DRAWN C.A.M.J.

APPD. RWT

TITLE KNOB K87MB / K87MBR

DRWG. No. **CL 170840**

FORM: A4DRWGH