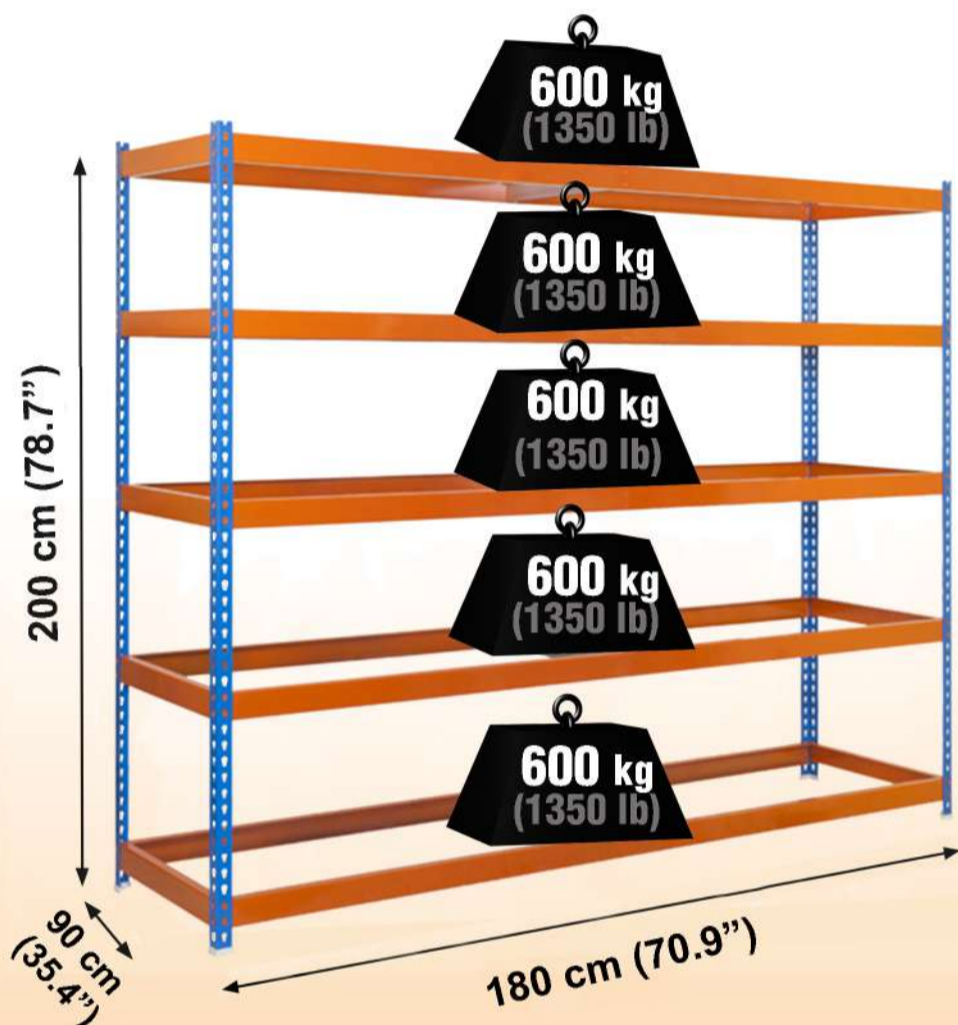


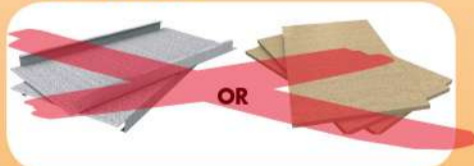


# SIMONFORTE ST 1809-5

**200 x 180 x 90 cm**  
**78.7" x 70.9" x 35.4"**



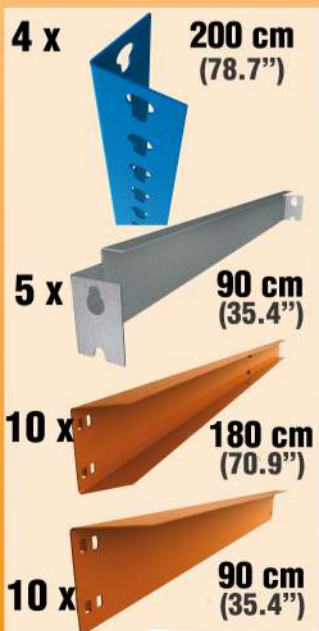
**NOT INCLUDED:**



\*MEDIDAS EN USO DETA MEDIDENEMETTE  
MESSUNGEN IM VERBOD MESURES EN EMPLOI MEDIDAS EM USO  
1995 x 1810 x 910 mm (78.5" x 71.2" x 35.8")



ESTANTERIAS SIMON S.L. B.50.556.463  
PG. ALFAMEN C/ POLIGONO C. Nº3  
ALFAMEN (ZARAGOZA)

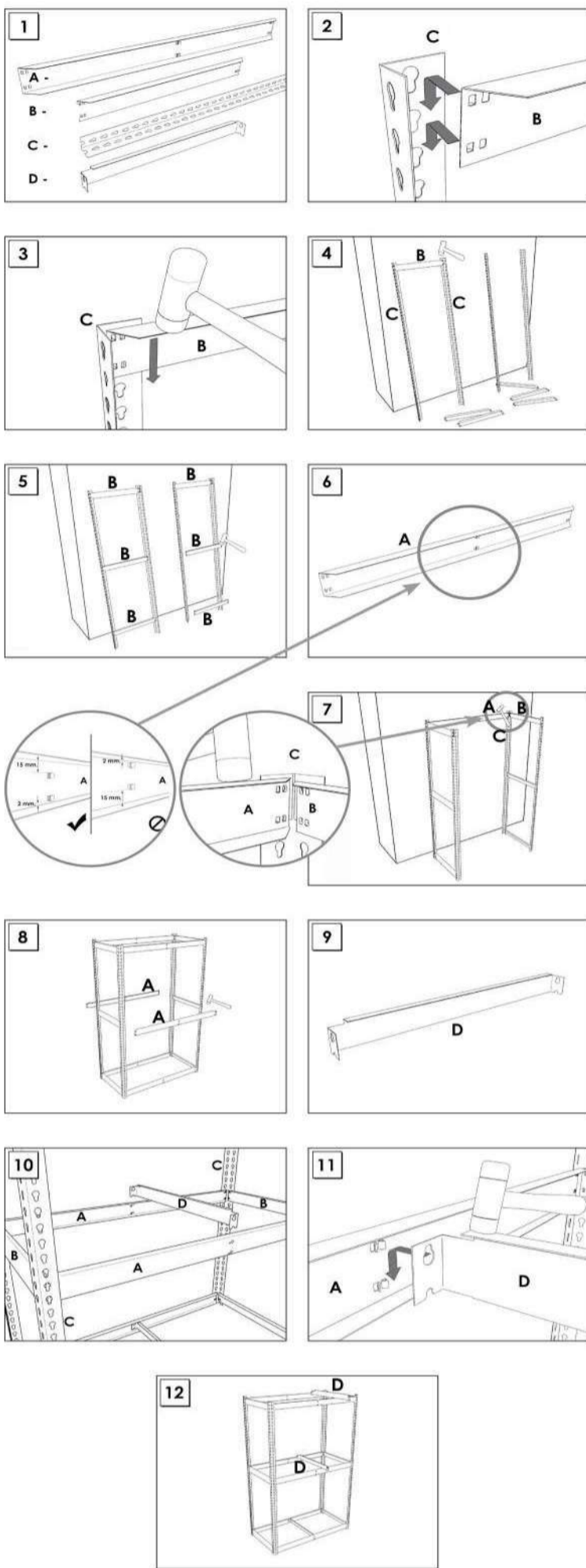


[www.simonrack.com](http://www.simonrack.com)



**INSTRUCTIONS**

## STANDARD MOUNTING



On-line instructions: [www.simonrack.com/instructions](http://www.simonrack.com/instructions)

LOGIN: 196003

[www.simonrack.com](http://www.simonrack.com) • [www.simonrack.com](http://www.simonrack.com) • [www.simonrack.com](http://www.simonrack.com) • [www.simonrack.com](http://www.simonrack.com)

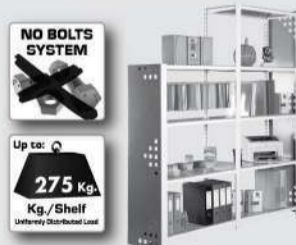
### SIMONCLASSIC



### SIMONCLICK



### OFFCLICK



### SIMONFORTE



### SIMONCROMO



### SIMONINOX



### SIMONTITÁN



### SIMONPALET



### SIMONLEVER

