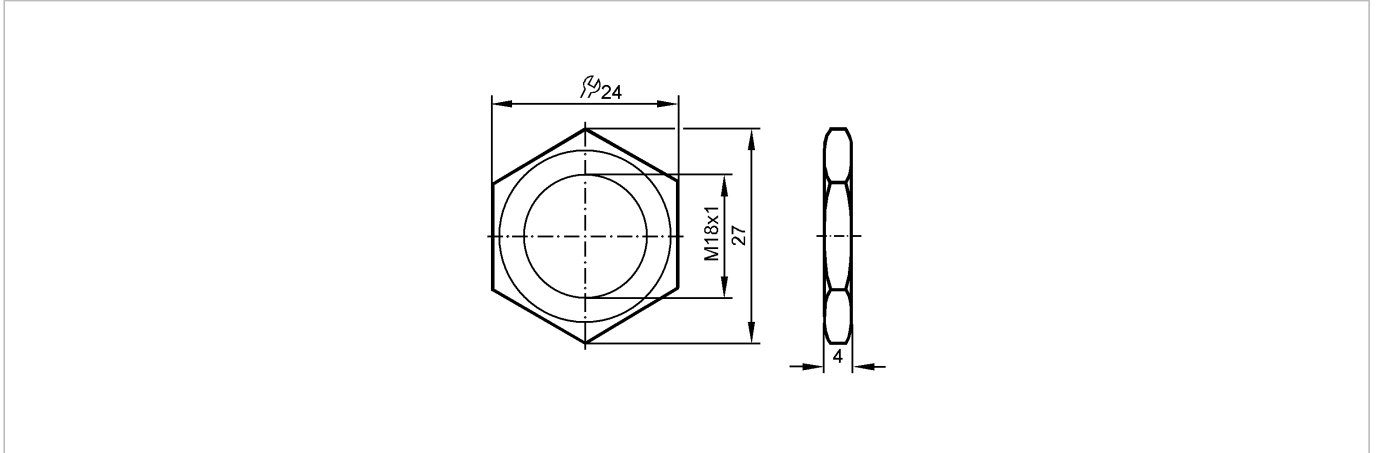




NUT M18X1 PBTB 2 PIECES

Accessories



Product characteristics

Lock nuts plastic

M18 x 1

Mechanical data

Housing materials

polycarbonate

Weight

[kg]

0.003

Remarks

Pack quantity

[piece]

2