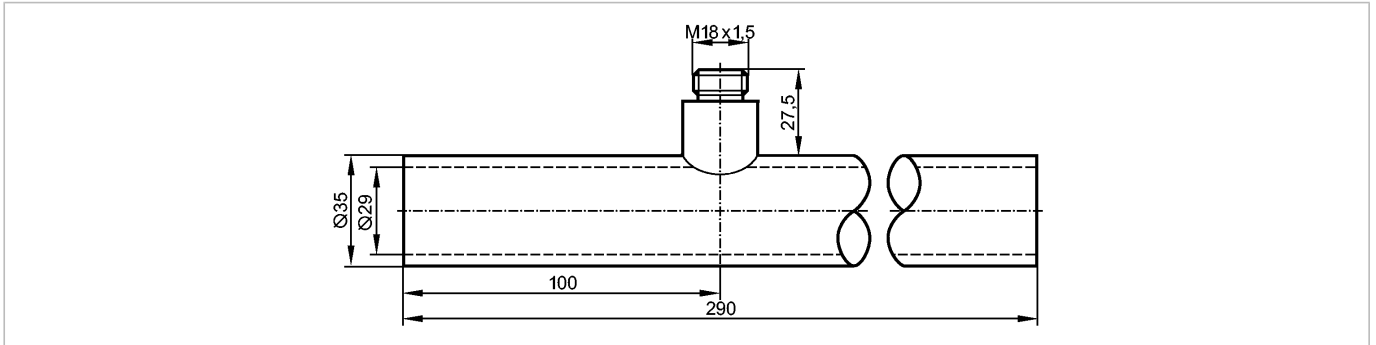


T-PIECE D 35X3-M18X1.5

Accessories



Product characteristics

T-piece

D 35 x 3 - M18 x 1.5

Application

Application

Liquids and gases of the fluid group 2 according to Article 9 of the Pressure Equipment Directive (PED)

Environment

Pressure rating

[bar]

30

Tests / approvals

Pressure equipment directive

Article 3, section 3 - sound engineering practice

Mechanical data

Design

for sensors with process connection M18 x 1.5

Housing materials

stainless steel 316Ti / 1.4571

Weight

[kg]

0.902

Remarks

Pack quantity

[piece]

1