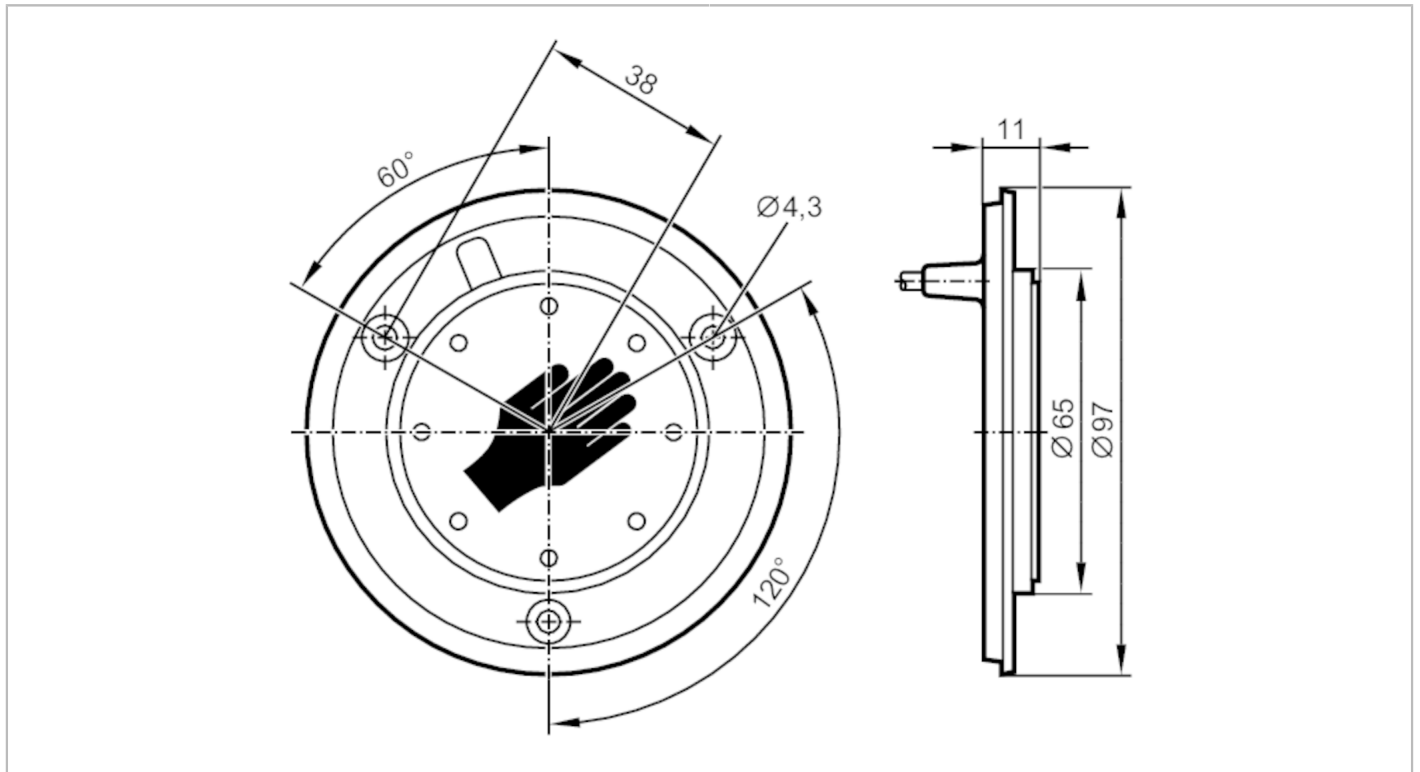


KT5014



Capacitive touch sensor

KTRDHOKGRBPKG/AM/AS/0,3M



Product characteristics

Electrical design	PNP
Output function	normally open
Dimensions [mm]	Ø 96.9 / L = 11

Application

Operating principle	dynamic
---------------------	---------

Electrical data

Operating voltage [V]	12...30 DC
Current consumption [mA]	30
Protection class	III
Reverse polarity protection	yes
Max. power-on delay time [ms]	500

Outputs

Electrical design	PNP
Output function	normally open
Permanent current rating of switching output DC [mA]	200
Short-circuit protection	yes
Overload protection	yes
Length of output signal [ms]	300

Response times

Response time [ms]	35
--------------------	----

KT5014



Capacitive touch sensor

KTRDHOKGRBPKG/AM/AS/0,3M

Operating conditions		
Ambient temperature	[°C]	-40...85
Protection		IP 67; IP 69K; (on the front)
Tests / approvals		
MTTF	[years]	419
Mechanical data		
Weight	[g]	115
Dimensions	[mm]	Ø 96.9 / L = 11
Materials		active face: PA Grilamid TR 90UV transparent; housing: PC/ABS black
Displays / operating elements		
Display	switching status	8 x LED, red
	function	8 x LED, green can be triggered
Accessories		
Accessories (optional)		surround in different colours
Remarks		
Pack quantity		1 pcs.

Electrical connection - plug

Cable: 0.3 m, PUR

Connector: 1 x M8



Connection

