

## M8 MALE 90° FIELD-WIREABLE (SOLDER PINS)

4-pol. 0.25mm<sup>2</sup>

Male 90°

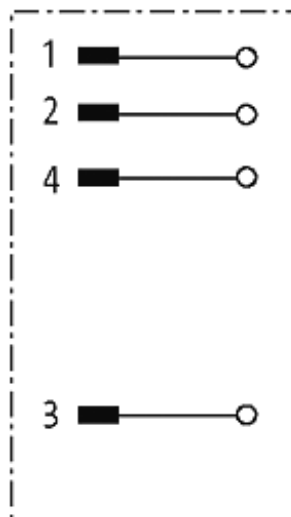
4-pole

with solder pins

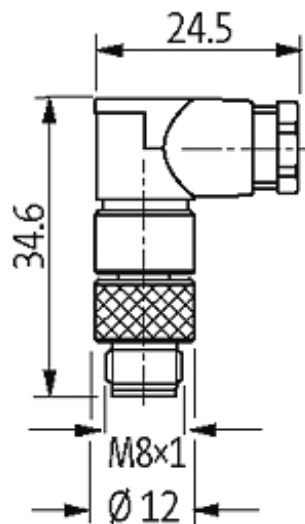
Connection cross section: max. 0.25 mm<sup>2</sup>

### [Link to Product](#)

#### Illustration



# Male



Product may differ from Image

## Approvals



## Form

08461

## Technical Data

Operating voltage	max. 30 V AC/DC
Operating current per contact	max. 4 A
Connection cross section	max. 0.25 mm <sup>2</sup>
Sealing range (cable diameter)	3.5...5.0 mm
Protection	IP67 inserted and tightened (EN 60529)

## General data

Temperature range	-25...+85 °C
-------------------	--------------

The information in this brochure has been compiled with the utmost care.

Liability for the correctness completeness and topicality of the information is restricted to gross negligence. Version: 05/15

---

Dimensions H x W x D	34.5x18.5x12 mm
----------------------	-----------------

**Commercial data**

---

country of origin	DE
-------------------	----

---

customs tariff number	85369010
-----------------------	----------

---

minimum order quantity	1
------------------------	---