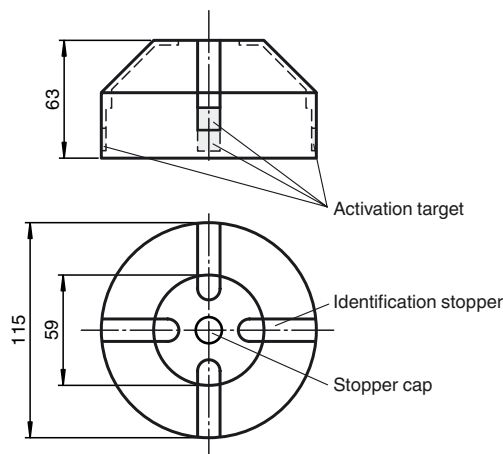




**Dimensions**



**Model Number**

**BT115A**

Activator for F31 series

**Features**

- For right and left rotating drives with 180° rotational motion
- Four fixed actuating lugs, offset by 90°

**Technical data**

**General specifications**

Ring diameter	≤ 110 mm
Spring ring height	≤ 7 mm

**Ambient conditions**

Ambient temperature	-25 ... 70 °C (-13 ... 158 °F)
---------------------	--------------------------------

**Mechanical specifications**

Shaft diameter	< 90 mm
Shaft height	30 mm and 50 mm
Mounting hole pattern	30 x 130 mm

<b>Material</b>	
Housing	Mounting component: PA
Spacer disk	PA (2 units, 10 mm strong)
Stopper cap	PE (1 unit black)
Identification stopper	PA (2 units yellow, 2 units black)
Mounting screw	for activator: 1.4305 / AISI 303 (1 unit M6 x 25) for sensors - F31: 1.4305 / AISI 303 (4 items M5 x 16, (2 pieces M5 x 12)
Activation target	Stainless steel 1.4305 / AISI 303 (integrated)
Mass	120 g

**Note**

The activator consists of a conductive plastic material which prevents static charging and allows installation in potentially explosive environments.

Release date: 2016-06-10 18:11 Date of issue: 2016-06-10 269361\_eng.xml

**Matching system components**

- NBN3-F31-E8-K**
- NBN3-F31-E8-K-K**
- NBN3-F31-E8-V1**
- NBN3-F31-E8-V16-V15**
- NBN3-F31-E8-V18**
- NBN3-F31K-E8**
- NBN3-F31K-E8-K**
- NBN3-F31K-E8-V1-V1**
- NBN3-F31K-Z8**
- NBN3-F31K-Z8-K**
- NBN3-F31K-Z8-V1-V1**
- NBN3-F31K2-E8-B13-S**
- NBN3-F31K2-E8-B33-S**
- NBN3-F31K2-E8-B43-S**
- NBN3-F31K2M-E8-B13-S**
- NBN3-F31K2M-E8-B23-S**
- NBN3-F31K2M-E8-B33-S**
- NBN3-F31K2M-E8-B43-S**
- NBN3-F31K2M-Z8L-B43-S**
- NBN3-F31K2M-Z8L-B13-S**
- NBN3-F31K2M-Z8L-B23-S**
- NBN3-F31K2M-Z8L-B33-S**
- NBN3-F31K2-Z8L-B13-S**
- NBN3-F31K2-Z8L-B33-S**
- NBN3-F31-U8-K**
- NBN3-F31-U8-V125**
- NBN3-F31-U8-V18**

Release date: 2016-06-10 18:11 Date of issue: 2016-06-10 263361\_eng.xml

Refer to "General Notes Relating to Pepperl+Fuchs Product Information".

### Matching system components

**NBN3-F31-Z8-K**

**NBN3-F31-Z8-K-K**

**NBN3-F31-Z8-V1**

**NBN3-F31-Z8-V16-V15**

**NBN3-F31-Z8-V16-V16**

**NBN3-F31-Z8-V18**

**NCN3-F31-B3B-V1**

Valve positioner and valve control module

**NCN3-F31-B3B-V1-K**

Valve positioner and valve control module

**NCN3-F31-B3B-V1-V1**

Valve positioner and valve control module

**NCN3-F31-B3-V1-K**

Valve positioner and valve control module

**NCN3-F31K-B3B-B31**

Valve positioner and valve control module

**NCN3-F31K-N4**

**NCN3-F31K-N4-B13-S**

**NCN3-F31K-N4-K**

**NCN3-F31K-N4-K-S**

**NCN3-F31K-N4-S**

**NCN3-F31K-N4-V1-V1**

**NCN3-F31K-N5-K**

**NCN3-F31-N4-K**

**NCN3-F31-N4-K-K**

**NCN3-F31-N4-V1**

**NCN3-F31-N4-V16-K**

**NCN3-F31-N4-V16-V16**

**NCN3-F31-N4-V18**

**NCN3-F31-N5-V18-V1**

Release date: 2016-06-10 18:11 Date of issue: 2016-06-10 269361\_eng.xml

Refer to "General Notes Relating to Pepperl+Fuchs Product Information".

Pepperl+Fuchs Group  
www.pepperl-fuchs.com

USA: +1 330 486 0001  
fa-info@us.pepperl-fuchs.com

Germany: +49 621 776 4411  
fa-info@de.pepperl-fuchs.com

Singapore: +65 6779 9091  
fa-info@sg.pepperl-fuchs.com