

SURGE SUPPRESSOR, RC COUPLING, AC
127...240V, DC 150...250V, FOR MOTOR
CONTACTORS SZ S0,

General technical data:

product brand name		SIRIUS
Product designation		surge suppressor
Size of contactor		S0
Design of the surge suppressor		with RC elements
Ambient temperature		
• during storage	°C	-40 ... +80
• during operation	°C	-25 ... +60

Control circuit/ Control:

Type of voltage of the control supply voltage		AC/DC
Control supply voltage frequency		
• 1 Rated value	Hz	50
• 2 Rated value	Hz	60
Control supply voltage 1		
• for DC		
— Initial rated value	V	150
— Final rated value	V	250
• with AC		
— at 50 Hz Initial rated value	V	127
— at 50 Hz Final rated value	V	240
— at 60 Hz Final rated value	V	240
— at 60 Hz Initial rated value	V	127

Installation/ mounting/ dimensions:

mounting position		any
--------------------------	--	-----

Mounting type		clip-on
Width	mm	30
Height	mm	19
Depth	mm	12

Certificates/ approvals:

Certificate of suitability CE / UL / CSA / CCC

General Product Approval	Declaration of Conformity	Test Certificates	Shipping Approval
--------------------------	---------------------------	-------------------	-------------------



[Special Test Certificate](#)



Shipping Approval



other

[Confirmation](#)

[Environmental Confirmations](#)



Further information

Information- and Downloadcenter (Catalogs, Brochures,...)

<http://www.siemens.com/industrial-controls/catalogs>

Industry Mall (Online ordering system)

<http://www.siemens.com/industrymall>

Cax online generator

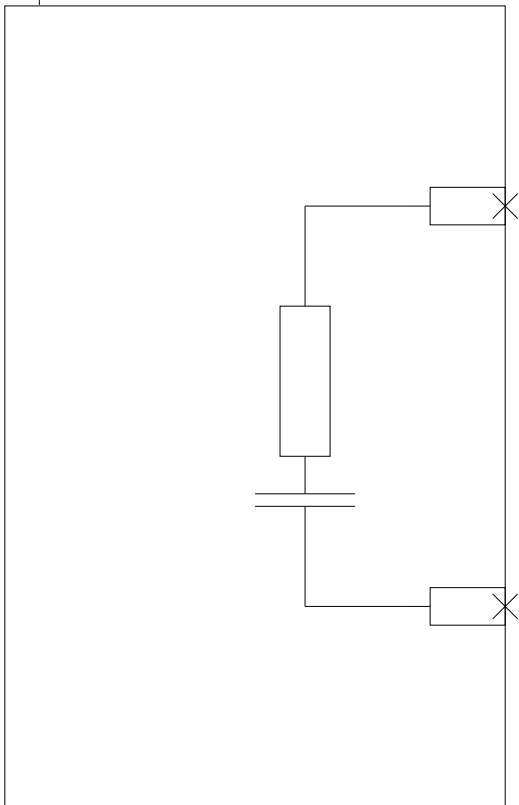
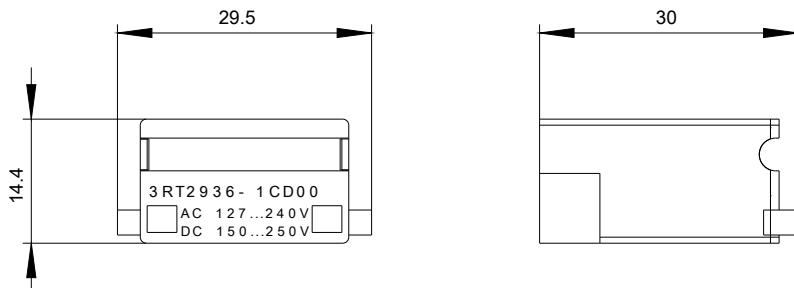
<http://support.automation.siemens.com/WW/CAXorder/default.aspx?lang=en&mlfb=3RT29261CD00>

Service&Support (Manuals, Certificates, Characteristics, FAQs,...)

<http://support.automation.siemens.com/WW/view/en/3RT29261CD00/all>

Image database (product images, 2D dimension drawings, 3D models, device circuit diagrams, EPLAN macros, ...)

<http://www.automation.siemens.com/bilddb/index.aspx?attID9=3RT29261CD00&lang=en>



last modified:

09.03.2015