

CONTACT MODULE WITH 2 CONTACT ELEMENTS, 2NC, GOLD-PLATED CONTACTS, SCREW TERMINAL, FOR FRONT PLATE MOUNTING



Figure similar

| | |
|--------------------------|----------------|
| Product brand name | SIRIUS ACT |
| Product designation | Contact module |
| Product type designation | 3SU1 |

| General technical data | |
|---|-------|
| Product function | |
| • positive opening | Yes |
| Insulation voltage | |
| • rated value | 500 V |
| Degree of pollution | 3 |
| Type of voltage | |
| • of the operating voltage | AC/DC |
| • of the input voltage | AC/DC |
| Surge voltage resistance rated value | 6 kV |
| Protection class IP | |
| • of the enclosure | IP40 |
| • of the terminal | IP20 |
| Shock resistance | |

| | |
|--|--|
| <ul style="list-style-type: none"> • acc. to IEC 60068-2-27 • for railway applications acc. to DIN EN 61373 | Sinusoidal half-wave 50 g / 11 ms Category 1, Class B |
| Vibration resistance <ul style="list-style-type: none"> • acc. to IEC 60068-2-6 • for railway applications acc. to DIN EN 61373 | 10 ... 500 Hz: 5g Category 1, Class B |
| Operating frequency maximum | 3 600 1/h |
| Mechanical service life (switching cycles) <ul style="list-style-type: none"> • typical | 10 000 000 |
| Electrical endurance (switching cycles) <ul style="list-style-type: none"> • typical | 10 000 000 |
| Thermal current | 10 A |
| Equipment marking <ul style="list-style-type: none"> • acc. to DIN EN 61346-2 • acc. to DIN EN 81346-2 | S S |
| Continuous current of the C characteristic MCB | 10 A |

Main circuit

| | |
|--|---|
| Operating voltage <ul style="list-style-type: none"> • at AC <ul style="list-style-type: none"> — at 50 Hz rated value — at 60 Hz rated value • at DC <ul style="list-style-type: none"> — rated value | 5 ... 500 V 5 ... 500 V 5 ... 500 V |
|--|---|

Power Electronics

| | |
|----------------------------|--|
| Contact reliability | One maloperation per 100 million (17 V, 5 mA), one maloperation per 10 million (5 V, 1 mA) |
|----------------------------|--|

Auxiliary circuit

| | |
|--|------------------------------------|
| Design of the contact of auxiliary contacts | Gold-plated |
| Number of NC contacts <ul style="list-style-type: none"> • for auxiliary contacts <ul style="list-style-type: none"> — lagging switching | 2 0 |
| Number of NO contacts <ul style="list-style-type: none"> • for auxiliary contacts <ul style="list-style-type: none"> — leading contact | 0 0 |
| Number of CO contacts <ul style="list-style-type: none"> • for auxiliary contacts | 0 |
| Operating current at AC-12 <ul style="list-style-type: none"> • at 24 V rated value • at 48 V rated value • at 110 V rated value • at 230 V rated value • at 400 V rated value | 10 A 10 A 10 A 8 A 8 A |

| | |
|-----------------------------------|-------|
| Operating current at AC-15 | |
| • at 24 V rated value | 6 A |
| • at 48 V rated value | 6 A |
| • at 110 V rated value | 6 A |
| • at 230 V rated value | 6 A |
| • at 400 V rated value | 3 A |
| • at 500 V rated value | 1.4 A |
| Operating current at DC-12 | |
| • at 24 V rated value | 10 A |
| • at 48 V rated value | 5 A |
| • at 110 V rated value | 2.5 A |
| • at 230 V rated value | 1 A |
| • at 400 V rated value | 0.3 A |
| • at 500 V rated value | 0.3 A |
| Operating current at DC-13 | |
| • at 24 V rated value | 3 A |
| • at 48 V rated value | 1.5 A |
| • at 110 V rated value | 0.7 A |
| • at 230 V rated value | 0.3 A |
| • at 400 V rated value | 0.1 A |
| • at 500 V rated value | 0.1 A |

| Connections/Terminals | |
|---|------------------------------------|
| Type of electrical connection | screw-type terminals |
| Type of connectable conductor cross-sections | |
| • solid with core end processing | 2x (0.5 ... 0.75 mm ²) |
| • solid without core end processing | 2x (1.0 ... 1.5 mm ²) |
| • finely stranded with core end processing | 2x (0.5 ... 1.5 mm ²) |
| • finely stranded without core end processing | 2x (1,0 ... 1,5 mm ²) |
| • at AWG conductors | 2x (18 ... 14) |
| Tightening torque | |
| • with screw-type terminals | 0.8 ... 0.9 N·m |

| Ambient conditions | |
|---|---|
| Ambient temperature | |
| • during operation | -25 ... +70 °C |
| • during storage | -40 ... +80 °C |
| Environmental category during operation acc. to IEC 60721 | 3M6, 3S2, 3B2, 3C3 (without salt spray), 3K6 (with relative humidity of 10 ... 95%, no condensation in operation permitted) |

| Installation/ mounting/ dimensions | |
|------------------------------------|----------------------|
| Mounting type | |
| • of modules and accessories | Front plate mounting |
| Height | 34 mm |

| | |
|-------|---------|
| Width | 9.8 mm |
| Depth | 49.7 mm |

Certificates/approvals

| General Product Approval | | | | Declaration of Conformity | Test Certificates |
|---|---|---|---|---|--|
|  |  |  |  |  | Declaration of the Compliance with the order |
| CCC | CSA | UL | | EG-Konf. | |

| Test Certificates | other |
|--|------------------------------|
| Special Test Certificate | Confirmation |

Further information

Information- and Downloadcenter (Catalogs, Brochures,...)

<http://www.siemens.com/industrial-controls/catalogs>

Industry Mall (Online ordering system)

<https://mall.industry.siemens.com/mall/en/en/Catalog/product?mfb=3SU1400-1AA10-1PA0>

Cax online generator

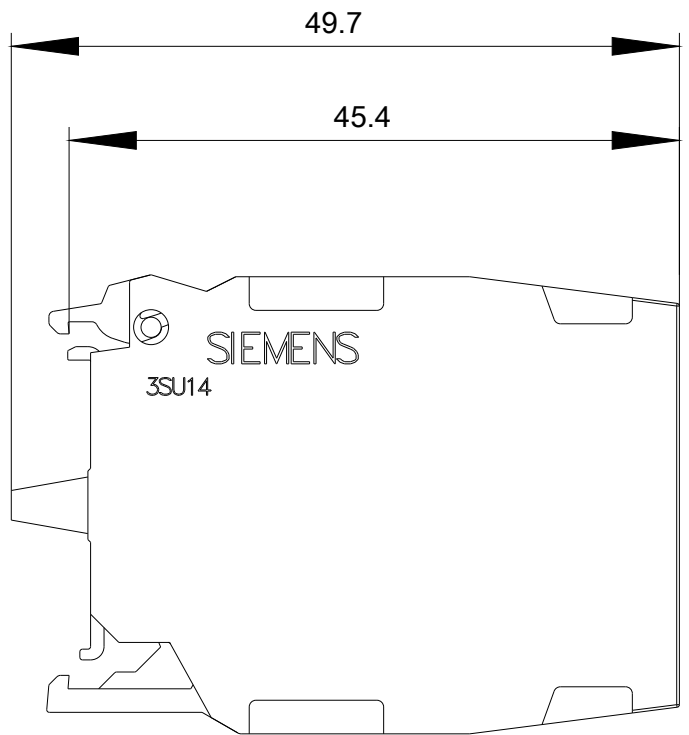
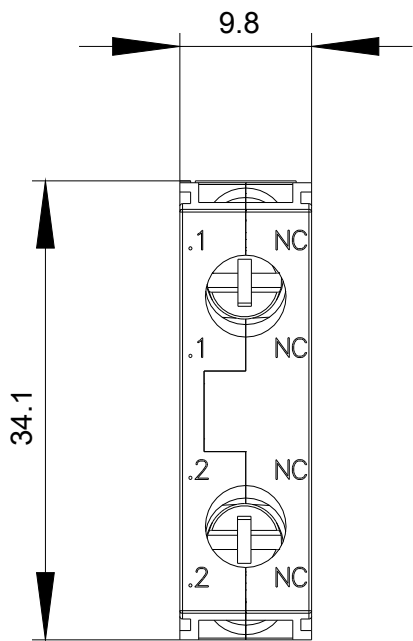
<http://support.automation.siemens.com/WW/CAXorder/default.aspx?lang=en&mfb=3SU1400-1AA10-1PA0>

Service&Support (Manuals, Certificates, Characteristics, FAQs,...)

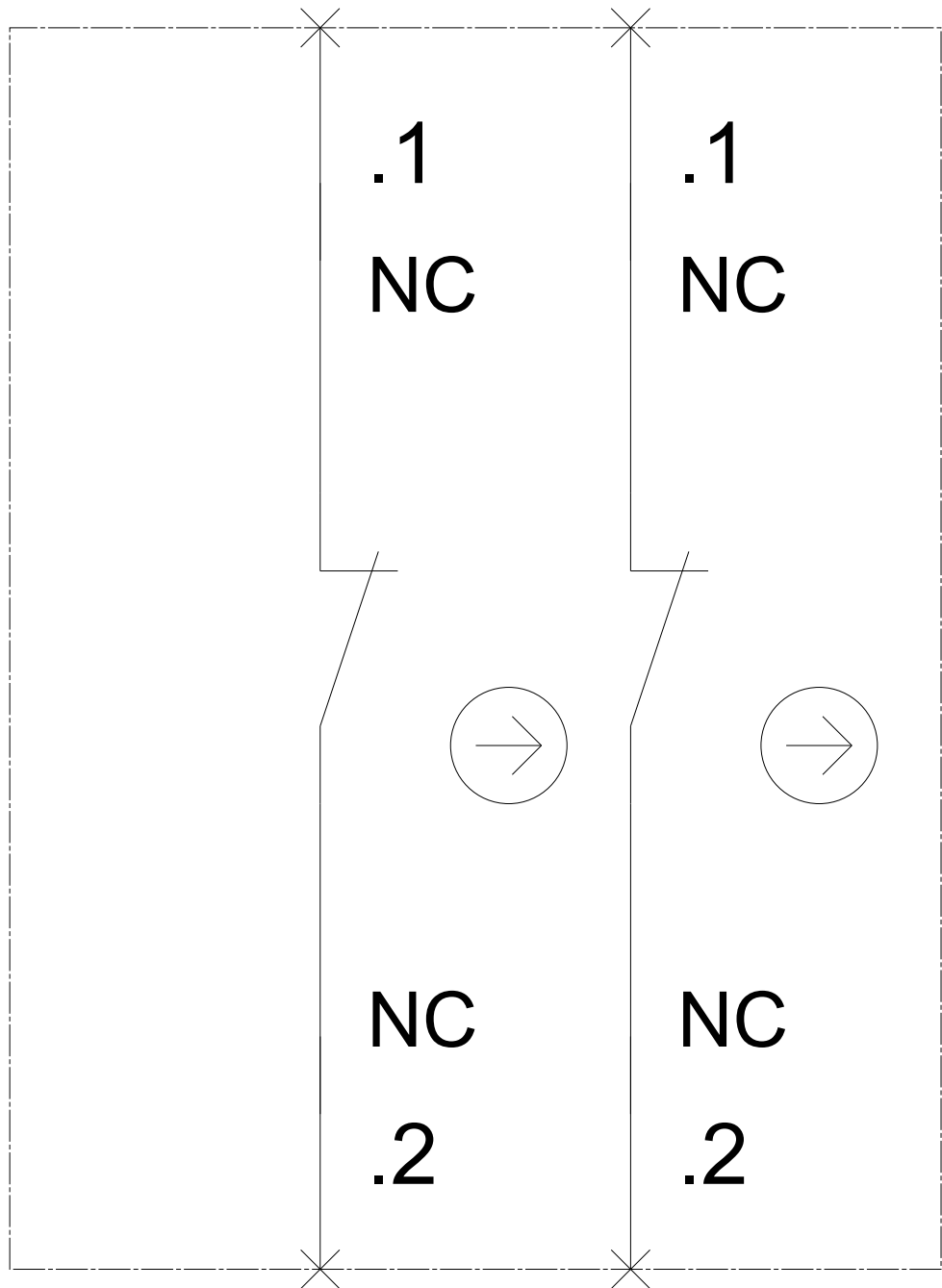
<https://support.industry.siemens.com/cs/ww/en/ps/3SU1400-1AA10-1PA0>

Image database (product images, 2D dimension drawings, 3D models, device circuit diagrams, EPLAN macros, ...)

http://www.automation.siemens.com/bilddb/cax_de.aspx?mfb=3SU1400-1AA10-1PA0&lang=en



-S



last modified:

09/25/2017