

Phase-Sequence Relay Type DRR10

automatic change of wrong Phase-Sequence

DRR10



Phase-sequence relays DRR10 measure the sequence of the phases when being switched on and switch - if necessary - the rotation of the field by changing 2 phases.

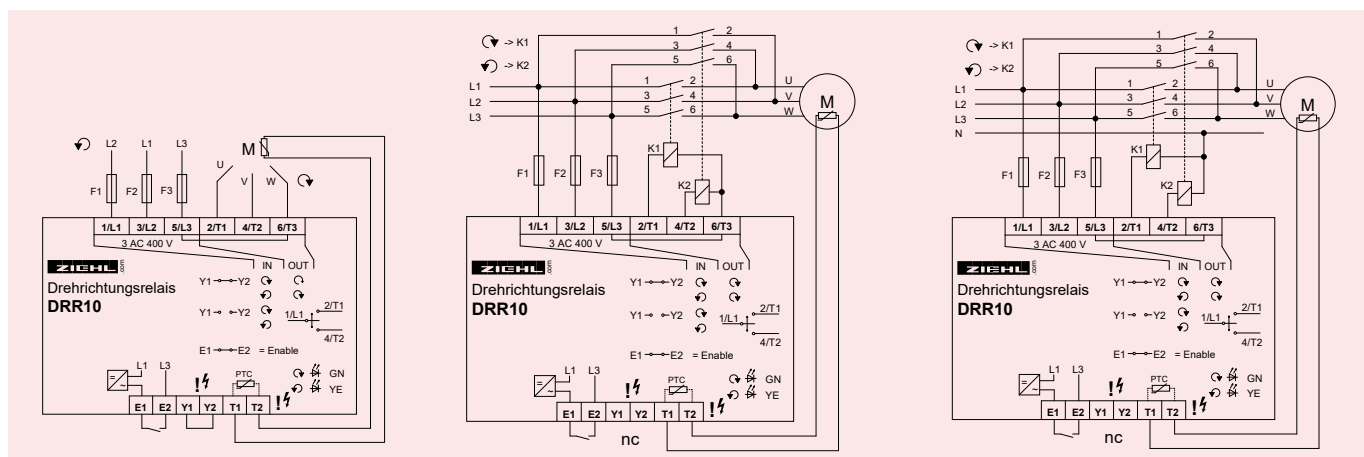
The integrated PTC-monitor protects the motor from overheating.

Applications are especially machines and equipment, that is operated at variable locations e.g. at building sites. Pumps, compressors and vacuum cleaners always run correctly. No more search for faults or change of wiring necessary.

- automatic change of wrong phase-sequence when connected falsely
- running backward of motors is avoided
- integrated PTC-protection for motor
- enable-input for direct switching on/off of the motor with DRR10
- max. 3 x 12 A
- switch-on currents 30 A / max. 4 s / 60 A / max. 1 s
- higher currents with external contactors
- integrated protection for relay contacts
- integrated protection from over-temperature
- housing for mounting in fuse-boxes or switchgear-cabinets, mounting height 55 mm

order-number: P222546

2



Technical Data

rated supply voltage U_s
admissible tolerance U_s

3 AC 400 V, 50/60 Hz, < 3 VA
+10% ... -20%

relay output
switching voltage
conventional thermal current I_{th}
switch-on current (10% on)
recommended fuse
expected contact life mech.
expected contact life electr.

2 x 2 normally opened contacts (no)
max. AC 440 V
12 A
30 A / max. 4 s, 60 A / max. 1 s
gG/gL 16 A
30 x 10⁶ operations
1 x 10⁶ operations at AC 400 V / 3 A
2 x 10⁵ operations at AC 400 V / 6 A cosφ 0,5

inputs
T1 - T2
E1 - E2

without separation of potential from supply-voltage
PTC-thermistors according to DIN 44081/44082
potential-free contact for AC 400 V

rated ambient temp. range

-20°C...+55°C

housing (H x W x D) mm
fitting position
attachment

design V4: 90 x 70 x 58 mm
any
on 35 mm DIN rail according to EN 60715 or
2 screws M 4

protection housing/terminals
weight

IP 30 / IP 20
app. 230 g