



Certifications & Ratings

- RoHS compliant

Application

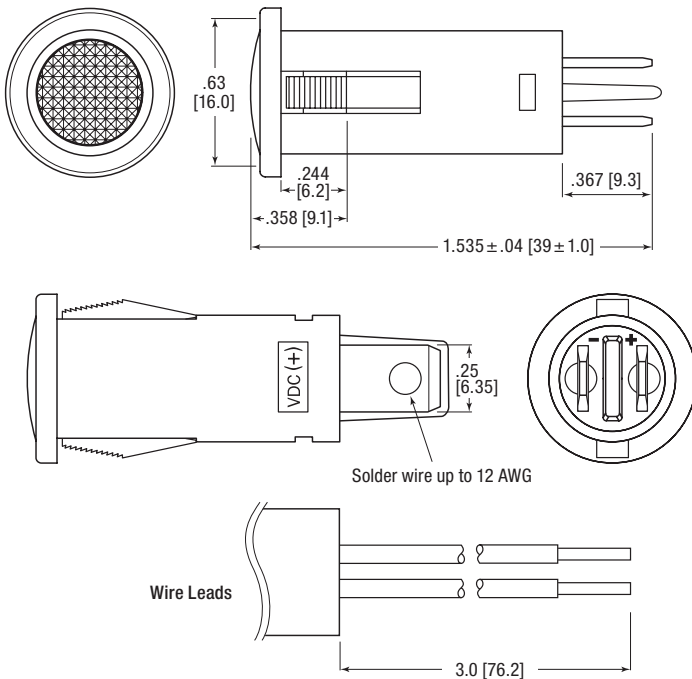
The 655 Series LED Panel Mount Indicators are designed for a variety of applications such as.

- Main power indication
 - Remote power indication
 - Status indication
 - Maintenance and warning indication
 - Instrumentation
- ... and many more!

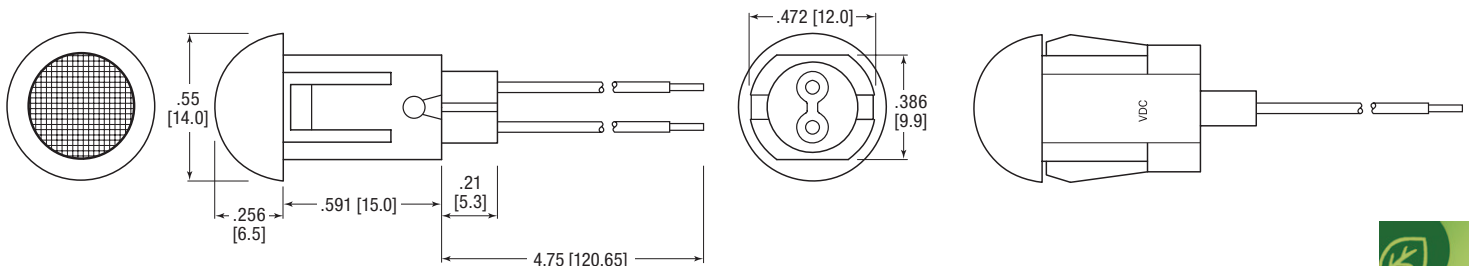
Dimensions

inches [mm]

Flat Lens



Domed Lens



Mechanical Information

Mounting Hole Size: 0.50" (12.7 mm)

Max Panel Thickness: 0.138" (3.5 mm) (Domed Lens);
0.216" (5.5 mm) (Flat Lens)

Specifications

Voltage Options: 12 & 24 VDC

Operating temp: -20 °C to +85 °C (-4 °F to +185 °F)

Storage Temp: -20 °C to +85 °C (-4 °F to +185 °F)

Electrical Connection: Solder terminals (Flat Lens only)
or wire leads

Housing: Polycarbonate

Terminals: Brass—Nickel Plated (Flat Lens only)

Wire Leads: 18 AWG (Flat Lens),
26 AWG (Domed Lens)



Ordering Information 655 Series

| Part Number Guide | | | | | | | | | | RoHS Compliant | | | | |
|-------------------|---|---|---|------------|---|---|---|----------|---|----------------|---|-------------|--|--------------------------------------|
| 6 | 5 | 5 | - | X | X | X | X | - | 1 | 0 | X | F | | |
| | | | | Lens Style | | | | | | Voltage | | Termination | | |
| | | | | Flat | | 1 | | | | | | 3 | | Wire Leads |
| | | | | Domed | | 2 | | | | | | 4 | | Solder Terminals (Flat Lens only) |
| | | | | | | | | Color | | | | | | |
| | | | | 1 | | 0 | | ● Red | | | | | | |
| | | | | 2 | | 0 | | ● Green | | | | | | |
| | | | | 3 | | 0 | | ● Yellow | | | | | | |
| | | | | 4 | | 0 | | ● Blue | | | | | | |

| Dialight P/N | | Color | Voltage (VDC) | Current (mA) | Typical Intensity (mcd) |
|--------------|------------------|-------|---------------|--------------|-------------------------|
| Wire Leads | Solder Terminals | | | | |

Flat Lens

| | | | | | |
|---------------|---------------|----------|----|----|-----|
| 655-1103-103F | 655-1103-104F | ● Red | 12 | 20 | 70 |
| 655-1203-103F | 655-1203-104F | ● Green | | | 120 |
| 655-1303-103F | 655-1303-104F | ● Yellow | | | 100 |
| 655-1403-103F | 655-1403-104F | ● Blue | | | 70 |
| 655-1104-103F | 655-1104-104F | ● Red | 24 | | 70 |
| 655-1204-103F | 655-1204-104F | ● Green | | | 120 |
| 655-1304-103F | 655-1304-104F | ● Yellow | | | 100 |
| 655-1404-103F | 655-1404-104F | ● Blue | | | 70 |

Domed Lens

| | | | | | |
|---------------|----|----------|----|----|-----|
| 655-2103-103F | NA | ● Red | 12 | 20 | 70 |
| 655-2203-103F | NA | ● Green | | | 140 |
| 655-2303-103F | NA | ● Yellow | | | 45 |
| 655-2403-103F | NA | ● Blue | | | 50 |
| 655-2104-103F | NA | ● Red | 24 | | 70 |
| 655-2204-103F | NA | ● Green | | | 140 |
| 655-2304-103F | NA | ● Yellow | | | 45 |
| 655-2404-103F | NA | ● Blue | | | 50 |

Dialight reserves the right to make changes at any time in order to supply the best product possible. The most current version of this document will always be available at: www.dialightsignalsandcomponents.com

Warranty Statement: Except for the warranty expressly provided for [herein/above/below], Dialight disclaims any and all other warranties, express or implied, including, without limitation, any warranties of merchantability, fitness for a particular purpose, title, and noninfringement.