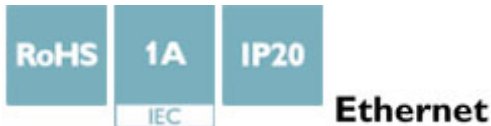


Network cable - NBC-R4AC/0,25-94B/R4AC - 1423014


Please be informed that the data shown in this PDF Document is generated from our Online Catalog. Please find the complete data in the user's documentation. Our General Terms of Use for Downloads are valid (<http://phoenixcontact.com/download>)



Network cable, degree of protection: IP20, number of positions: 8, 1 Gbps, CAT5, cable outlet: straight



Key Commercial Data

Packing unit	1 pc
Minimum order quantity	50 pc
GTIN	 4 055626 323350
GTIN	4055626323350
Weight per Piece (excluding packing)	25.550 g
Custom tariff number	85444210
Country of origin	Poland
Note	Made to Order (non-returnable)

Technical data

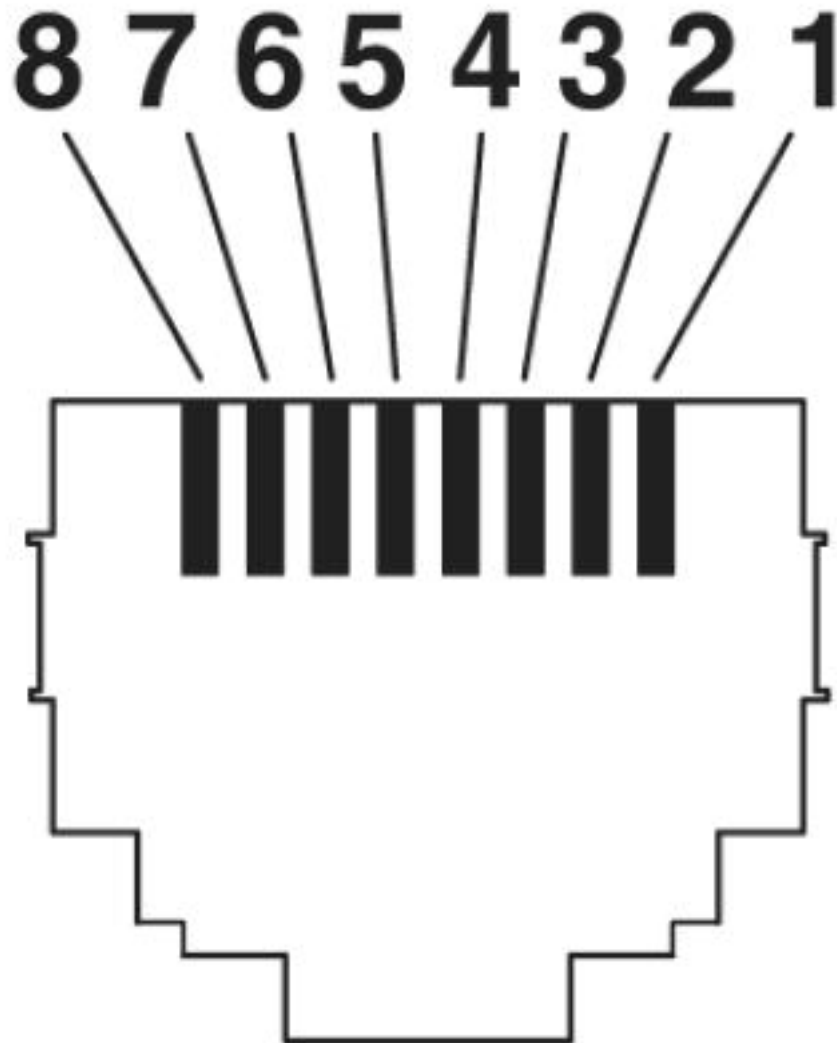
Environmental Product Compliance

China RoHS	Environmentally friendly use period: unlimited = EFUP-e
	No hazardous substances above threshold values

Drawings

Network cable - NBC-R4AC/0,25-94B/R4AC - 1423014

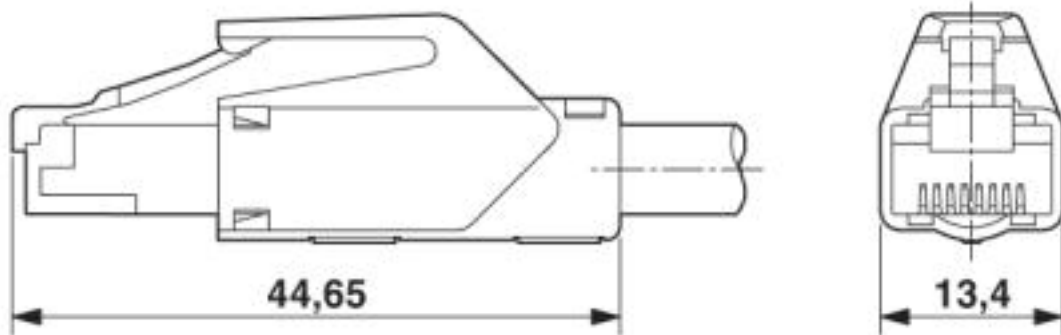
Schematic diagram



Connector pin assignment plug RJ45

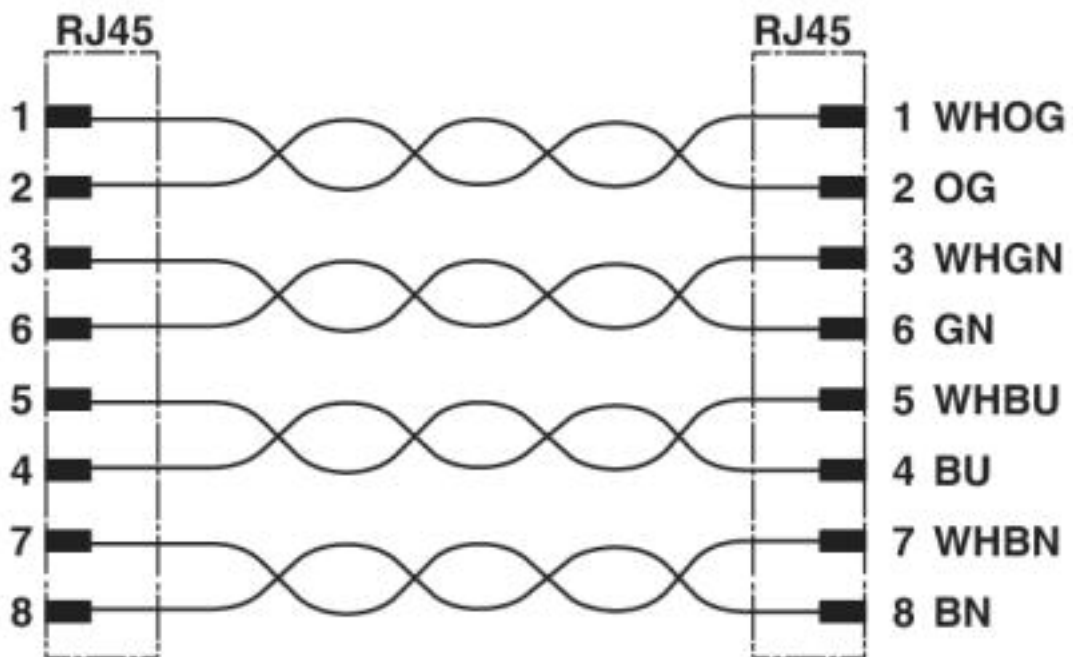
Network cable - NBC-R4AC/0,25-94B/R4AC - 1423014

Dimensional drawing



RJ45 connector, IP20

Circuit diagram



Contact assignment of RJ45 plugs

Network cable - NBC-R4AC/0,25-94B/R4AC - 1423014

Cable cross section



Ethernet, flexible, CAT5 [94B]

Classifications

eCl@ss

eCl@ss 9.0	27440312
------------	----------