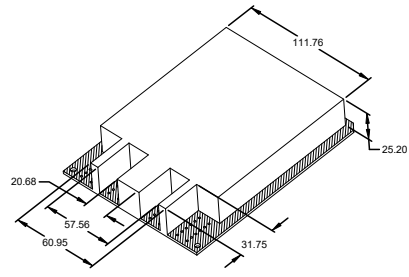
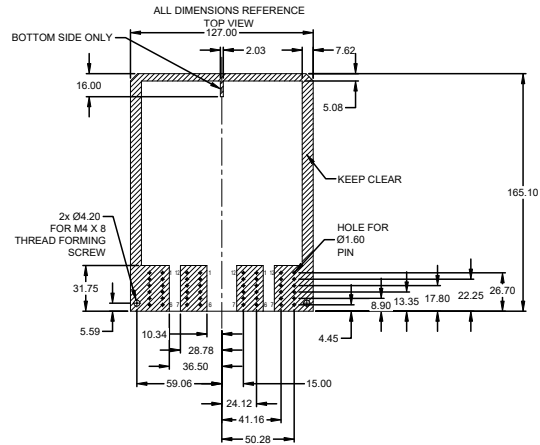


CIRCUIT BOARD HOLE LOCATIONS
BOARD HOLE
AND KEEP CLEAR AREAS FOR KEEP CLEAR

AREAS FOR
 AT13-12PA-R015 AT13-12PA-GR02
 AT13-24PAB-BM03 AT13-24PAB-BM01
 AT13-36PAB-BM03 AT13-36PAB-BM01
 AT13-48PAB-BM03 AT13-48PAB-BM01
 BOARD THICKNESS IN KEEP CLEAR ARE TO BE 2.36±0.1

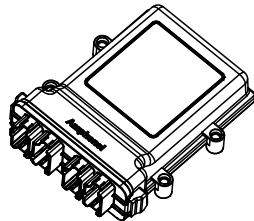
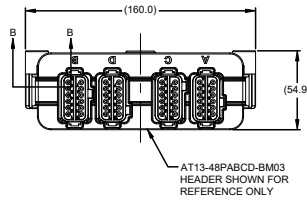
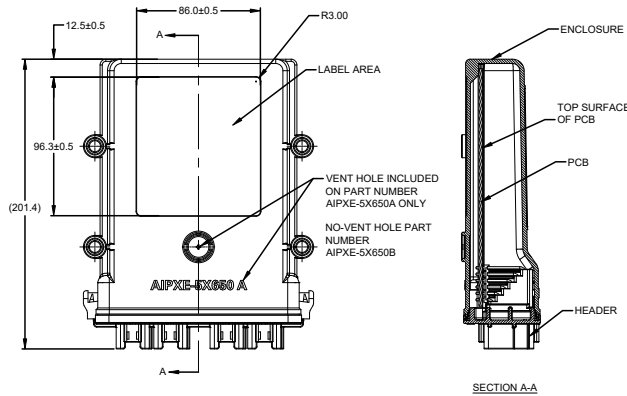
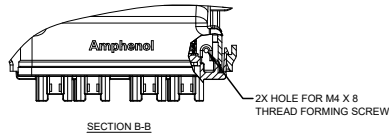


THREE DIMENSIONAL SPACE LIMIT
 APPROXIMATE INTERNAL SPACE
 FOR COMPONENT SPACE LAYOUT
 MAX. COMPONENT HEIGHT UNDER BOARD 4.00 mm.

NOTES: UNLESS OTHERWISE SPECIFIED

- MATERIAL: NATURAL POLYCARBONATE***
 ***PLEASE ENSURE YOUR MANUFACTURING PROCESS OR APPLICATION REQUIREMENTS DO NOT EXCEED THE LIMITS OF POLYCARBONATE.
- THIS ENCLOSURE MATES WITH AT13-*P*-XXXX (EXCEPT AT13-12P*-BMXX) HEADERS (*1=PIN ARR. 12,24,36,48; *2=KEY ARR. A,B,C,D).
- RoHS COMPLIANT
- ALL DIMENSIONS ARE FOR REFERENCE USE ONLY.

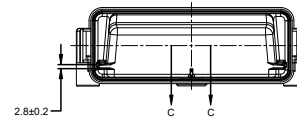
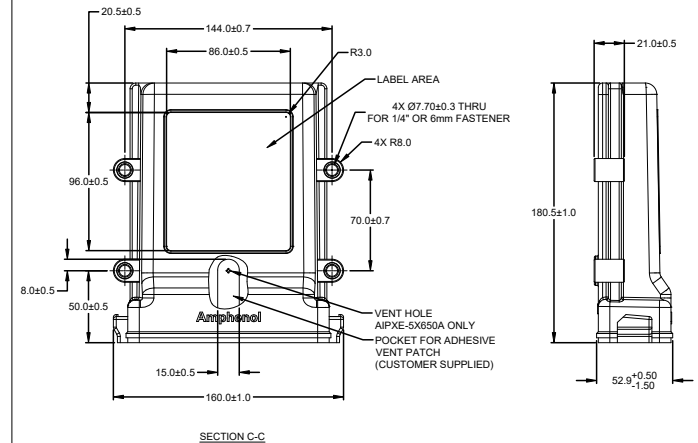
ASSEMBLED HEADER SHOWN FOR REFERENCE



3D VIEW
 AT13-48PABCD-BM03 AND AT13-48PABCD-BM01
 HEADER AND MOUNTING
 HARDWARE SHOWN FOR REFERENCE ONLY

REVISIONS

| REV | ECO | DESCRIPTION | DATE | BY | APPR |
|-----|-----|--------------------------|-----------|-------|-------|
| A1 | - | NEW RELEASE | 12DEC2019 | ZENIN | TOMMY |
| A2 | - | REVISED PC MATERIAL NOTE | 11JUN24 | JHEAD | WS |



| PART NUMBER CHART | |
|--------------------|-------------------|
| VENT HOLE | PART NUMBER |
| WITH VENT HOLES | AIPXE-5X650A-E017 |
| WITHOUT VENT HOLES | AIPXE-5X650B-E017 |

| SEE PART NUMBER CHART | | DESCRIPTION | | ITEM |
|---|-------------|--|---------------------------------------|---|
| QUANTITY | PART NUMBER | | | |
| MATERIALS LIST | | | | |
| UNLESS OTHERWISE SPECIFIED 1) All dimensions are in metric(mm). 2) Tolerances are as follows: 1 PL DEC ±0.30 Fractions ±1/64 2 PL DEC ±0.15 Angles ±1° 3 PL DEC ±0.08 3) Note reference = | | SIGNATURES DRAWN: ZENN DENG CHECKED: ORION LI ENGINEER: APPROVAL: TOMMY XIE CUSTOMER: | DATE 12DEC19 12DEC19 12DEC19 | Amphenol Sine Systems - www.amphenol-sine.com 44724 Morley Drive Clinton Township, MI 48036 ARMOR IPX PCB ENCLOSURE, 127x165mm PCB, SHOWN WITH 48 PIN HEADER |
| MATERIAL SPECIFICATIONS: | | THIS DRAWING IS SUPPLIED FOR INFORMATION ONLY. DESIGN FEATURES, SPECIFICATIONS AND PERFORMANCE DATA SHOWN HEREON ARE THE PROPERTY OF THE AMPHENOL CORPORATION. NO RIGHTS OF REPRODUCTION ARE IMPLIED. ALL DIMENSIONS ARE SUBJECT TO NORMAL MANUFACTURING VARIATIONS. | | |
| PROCESS SPECIFICATIONS: | | SCALE: NONE | | |
| NEXT ASSY: | | SIZE TYPE DWG NO. REVISION B C- AIPXE-5X650x-E017 A2 | | |
| | | | | SHEET 1 OF 1 |

TITLE: ARMOR IPX PCB ENCLOSURE, 127x165mm PCB SHOWN WITH 48PIN HEADER

DWG NO.

AIPXE-5X650X-E017

REV: A2

SH: 1

OF: 1