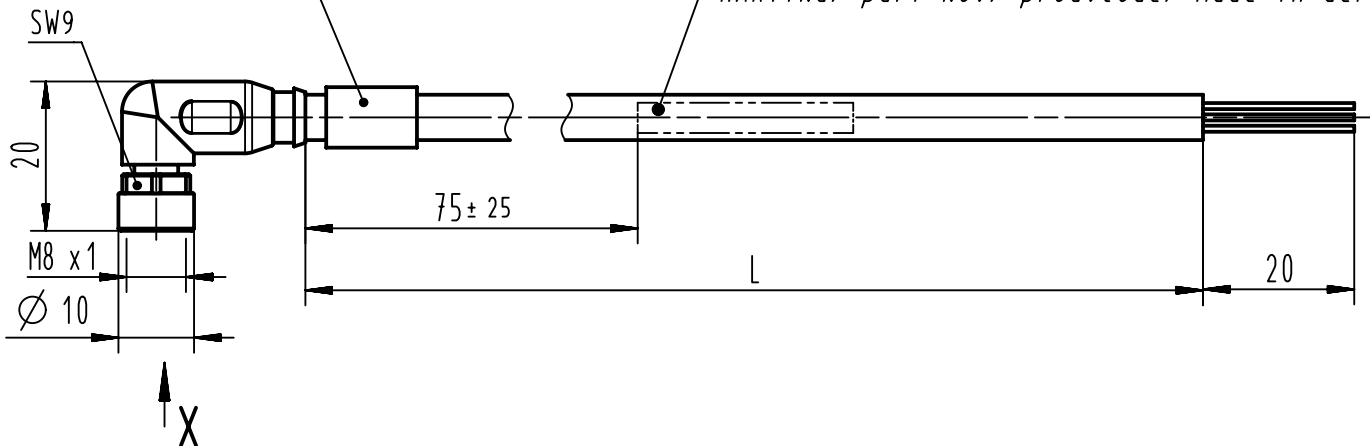
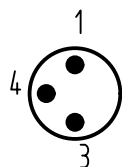


Träger für Bez.-Schild
tag holder

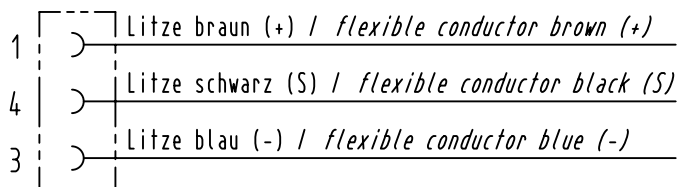
HARTING/ Art.Nr./ Fert.Code/ Made in Germany
HARTING/ part No./ prod.code/ Made in Germany



X (2:1)

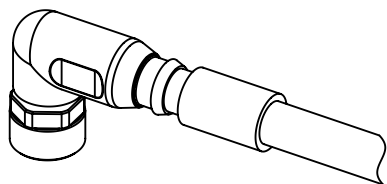


Stromlaufplan
schematic diagram



Halogen-freie PUR-Leitung 3x0,25mm²
in schwarz mit UL/CSA-Zulassung
Halogen-free PUR-conductor 3x0,25mm²
black with approval acc.to UL/CSA

21 02 554 4305	10,0m ± 1,5%
21 02 554 4304	7,5m ± 1,5%
21 02 554 4303	5,0m ± 1,5%
21 02 554 4302	3,0m ± 1,5%
21 02 554 4301	1,5m +0,1m
Artikel-Nr. part No.	Nennlänge (L) nominal length (L)



	All rights reserved	Created by DYCKC	Inspected by HARLASS	Standardisation HOFFMANN	Date 2013-03-14	State Final Release
	Department EC PD - DE	Title HARTING M8 female angled				Doc-Key / ECM-Nr. 100093097/UGD/005/B 500000059323
HARTING Electronics GmbH D-32339 Espelkamp		Type TB	Number 21025544300		Rev. B	Page 1/1