

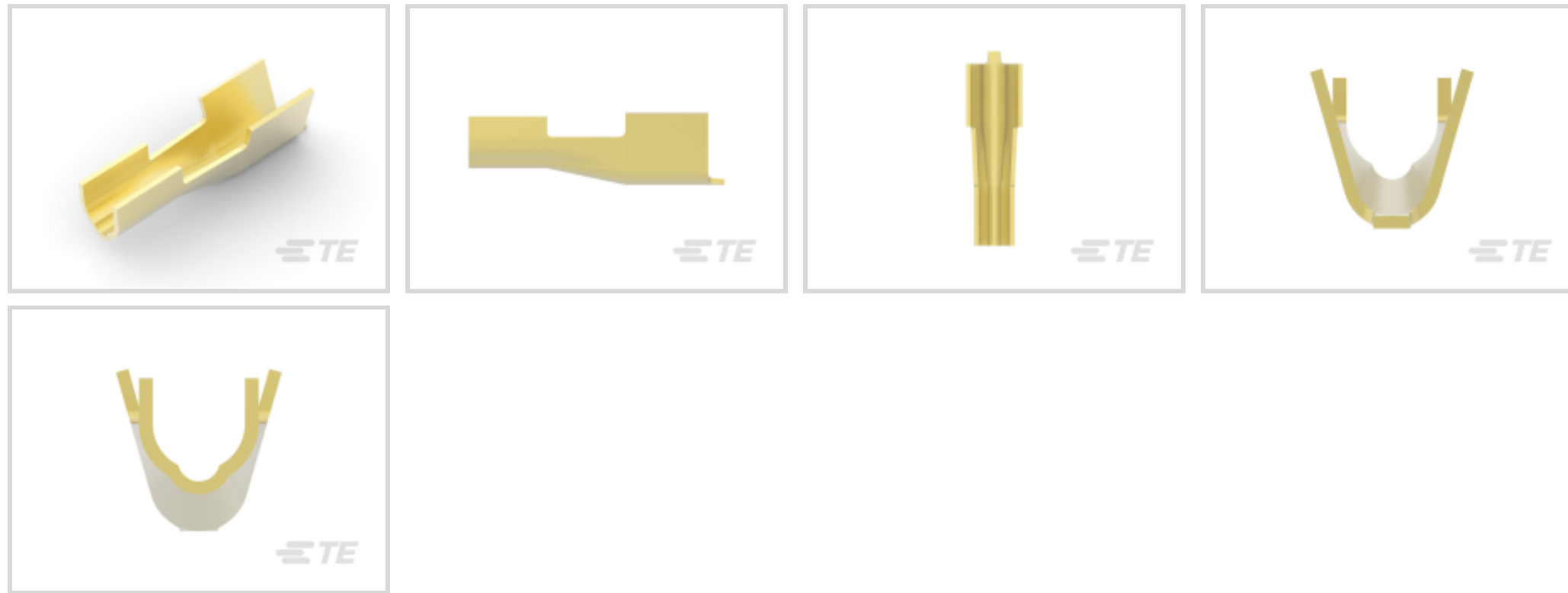


TE Internal #: 1438246-1

Splices, Splice, Splice, 16 – 18AWG Wire Size, Splice Capacity 1, 1.02 Splice Wire Insulation Diameter (Max) 26 Splice Wire Insulation Diameter (Max)

[View on TE.com >](#)

Terminals & Splices > Splices



Splice Product Type: **Splice**
 Terminal & Splice Type: **Splice**
 Wire Size: **16 – 18 AWG**
 Sealable: **No**
 Splice Capacity: **1**

Features

Product Type Features

Splice Product Type	Splice
Sealable	No
Splice Type	Butt Splice
Serrated	No
Splice Accessory Type	Splice
Splice Barrel Type	Open Barrel
Splice Wire/Cable Type	Discrete Wire
Insulated	No
Support Style	Insulation Piercing

Configuration Features

Splice Capacity	1
Number of Serrations	0

Body Features

Plating Material	Unplated
------------------	----------



Splice Material	Brass
-----------------	-------

Contact Features

Terminal & Splice Type	Splice
------------------------	--------

Mechanical Attachment

Wire Insulation Support	With
-------------------------	------

Dimensions

Wire Size	16 – 18 AWG
-----------	-------------

Splice Wire Insulation Diameter (Max)	26 mm[1.02 in]
---------------------------------------	----------------

Splice Overall Length	14.7 mm[.58 in]
-----------------------	-----------------

Usage Conditions

Insulation Requirement	Uninsulated
------------------------	-------------

Operating Temperature Range	-40 – 110 °C[-40 – 230 °F]
-----------------------------	----------------------------

Operation/Application

Heavy Duty	No
------------	----

Industry Standards

Government Qualified Splice	No
-----------------------------	----

Packaging Features

Splice Packaging Method	Reel
-------------------------	------

Product Compliance

[For compliance documentation, visit the product page on TE.com>](#)

EU RoHS Directive 2011/65/EU	Compliant
------------------------------	-----------

EU ELV Directive 2000/53/EC	Compliant
-----------------------------	-----------

China RoHS 2 Directive MIIT Order No 32, 2016	No Restricted Materials Above Threshold
---	---

EU REACH Regulation (EC) No. 1907/2006	Current ECHA Candidate List: JAN 2021 (211) Candidate List Declared Against: JAN 2021 (211) Does not contain REACH SVHC
--	---

Halogen Content	Low Halogen - Br, Cl, F, I < 900 ppm per homogenous material. Also BFR/CFR/PVC Free
-----------------	---

Solder Process Capability	Not applicable for solder process capability
---------------------------	--

Product Compliance Disclaimer

This information is provided based on reasonable inquiry of our suppliers and represents our current actual knowledge based on the information they provided. This information is subject to change. The part numbers that TE has identified as EU RoHS compliant have a maximum concentration of 0.1% by weight in homogenous materials for lead, hexavalent chromium, mercury, PBB, PBDE, DBP, BBP, DEHP, DIBP, and 0.01% for cadmium, or qualify for an exemption to these limits as defined in the Annexes of Directive 2011/65/EU (RoHS2). Finished electrical and electronic equipment products will be CE marked as required by Directive 2011/65/EU. Components may not be CE marked. Additionally, the part numbers that TE has identified as EU ELV compliant have a maximum concentration of 0.1% by weight in homogenous materials for lead, hexavalent chromium, and mercury, and 0.01% for cadmium, or qualify for an exemption to these limits as defined in the Annexes of Directive 2000/53/EC (ELV). Regarding the REACH Regulation, the information TE provides on SVHC in articles for this part number is based on the latest European Chemicals Agency (ECHA) 'Guidance on requirements for substances in articles' posted at this URL: <https://echa.europa.eu/guidance-documents/guidance-on-reach>

Compatible Parts



TE Part # 40626
FUSE TERMINAL RECEPTACLE 16-14 AWG TPBR



TE Part # 61248-1
TAB INSULATION PIERCING 20-18 AWG TPCUBR



TE Part # 1438246-2
SPLICE, BUTT, HEATER WIRE 18-16AWG PTPBR



TE Part # 61480-2
PHASING LINE CLIP TPCUBR



TE Part # 62587-1
PIN RECEPTACLE 12-10 AWG TPBR



TE Part # 63271-1
COIL TERMINAL TERMINAL 24-20 AWG PTPBR



TE Part # 63863-1
TWIST LOCK RECEPTACLE 18-14 AWG TPPHBZ



TE Part # 1217440-8
STRAIN RELIEF,SPECIAL PH BRZ



TE Part # 1217881-1
250 FUSE RCPT 020PTPBR



TE Part # 61280-1
BUTTON CONTACT 20-16 AWG BR



TE Part # 61684-3
SPECIAL TAB TAB TNSL WIRE GPBR



TE Part # 61684-5
SPECIAL TAB TAB TNSL WIRE NTPBR

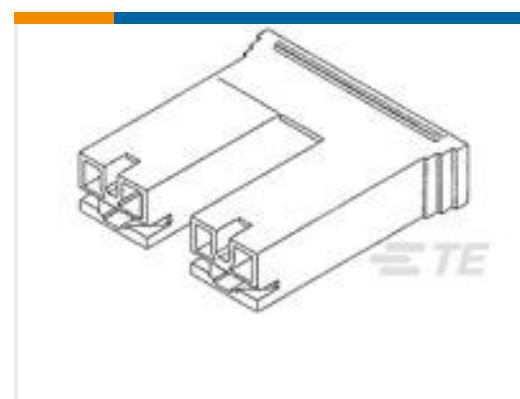


TE Part # 63723-2
RCPT TWISTLOK 20-16 0255 TPPHBZ

Customers Also Bought



TE Part #1-1971876-4
POWER TRIPLE LOCK STD TEMP PLUG



TE Part #1-520935-2
PL 250 HOUSING REC RED 6/6 NYLON V2



TE Part #1-1969442-2
EP 2.5 TPA Housing, 12 Pos



TE Part #1-880488-2
FASTON 187 HOUSING RECEPTACLE



TE Part #1-1969443-2
EP 2.5 TPA Retainer, 12 Pos



TE Part #1-520935-4
PL 250 HOUSING REC GREEN



TE Part #1-520935-6
HSG,RECP,POSI-LOCK&STD FAST250



TE Part #1-61795-0
RING 18-14 105-145 #10 025TPBR



TE Part #1534072-4
MULTIF.ASSY MK2 4POS, AR



TE Part #794816-1
06P UMNL PLUG, VO

Documents

Product Drawings

[SPLICE, BUTT, HEATER WIRE 18-16 AWG BR](#)

English

CAD Files

[3D PDF](#)

3D

Customer View Model

[ENG_CVM_CVM_1438246-1_F.2d_dxf.zip](#)

English

Customer View Model

[ENG_CVM_CVM_1438246-1_F.3d_igs.zip](#)

English

Customer View Model

[ENG_CVM_CVM_1438246-1_F.3d_stp.zip](#)

English

By downloading the CAD file I accept and agree to the [Terms and Conditions](#) of use.



Product Specifications

Product Specification

English

Product Environmental Compliance

TE Material Declaration

English